

Model 361 Control Valves

Technical Sales Bulletin



Figure 1 Model 361 Control Valve

The Model 361 control valve (Figure 1) is a heavy-duty globe style control valve. These valves are used in all kinds of demanding applications, including oil and gas production and chemical process industries.

Model 361 control valves are balanced cage guided, single port valves that can be used for either throttling or on-off control of either liquids or gasses.

The standard actuator for the Model 361 valve is a Dyna-Flo Model DFC or DFO linear actuators. These heavy-duty actuators are spring return diaphragm style, and can be used for throttling or on-off service, with or without a valve positioner.

Model 361 control valves are manufactured to a high level of quality specifications to ensure superior performance and customer satisfaction.

FEATURES

Sour Service Capability

Available in standard configurations that comply with NACE MR0175-2002.

Versatility

A wide range of trim options including Low-Noise make the 361 one of our most versatile control valves.

Field Service Friendly

No special tools are required to change or inspect trim. Top access makes in-line service easy.

Pressure Drop Capabilities

Model 361 control valves can shut off against inlet pressures equal to the ASME B16.34 rating.

Industrial High Quality External Coatings

Our standard industrial high quality external coatings provide long lasting resistance to the harshest environments.

Shut Off Capability

Shut off options are available from ANSI/FCI 70.2 and IEC 60534-4 Class II, III, & IV.

Emissions Reducing Packing

Help prevent the loss of process media and reduce packing maintenance with the use of Dyna-Flo's Live Loaded PTFE, graphite, and KALREZ® packing systems.



Model 361 Control Valves

Technical Sales Bulletin

SPECIFICATIONS

Configurations

The Model 361 control valve is a high capacity single port, globe style valve with a bolted type bonnet. The standard valve plug action is push down to close. Refer to Table 1.

Consult your Dyna-Flo sales office for other available configurations.

Sizes and Connection Styles (Refer to Table 1)

Model:	361
Size:	1", 1-1/2", 2", 3", 4", 6", 8"
Body:	Globe (All Sizes), Angle (1" / 2" / 3" / 4" / 6")
Rating:	ASME 150 / 300 / 600
Connection:	RF / RTJ / BWE - All Sizes SWE / NPT - 1", 1-1/2", and 2"

Maximum Inlet Pressures and Temperatures

Flanged valves consistent with ASME Class 150, 300, and 600 rating as per ASME B16.34, unless limited.

Maximum Pressure Drops

Maximum pressure drop is the same as maximum inlet pressure unless restricted by the following:

Standard Valve Trim: Figures 8A to 8C

Low-Noise Valve Trim: Figures 8A to 8C.

Characteristic and Flow Direction

- Equal Percentage (Standard) - Flow Down
- Quick Opening - Flow Down
- Linear - Flow Down
- Low-Noise 3 (Linear) - Flow Up

Dimensions

Valve and Actuator Outline Dimension Diagram

Refer to Figure 2.

Valve and Actuator Assembly Dimensions

Refer to Tables 6 to 16.

Approximate Valve Body and Actuator Weights

Refer to Table 5.

Materials

Body and bonnet material options include:

LCC (A350-LF2 optional* bonnet material)

WCC (A350-LF2 optional* bonnet material)

WC9 (A182-F22 optional* bonnet material)

CF8M (A182-F316 optional* bonnet material)

***NOTE:** Dyna-Flo reserves the right to substitute a cast material with the forged bar equivalent in the event a casting is not available.

Refer to Table 20 for valve construction material temperature limitations. Refer to Tables 20 & 23 for trim selections.

Cross-Section of the Model 361 Control Valves

Refer to Figures 3 & 4.

Port Diameters and Maximum Valve Plug Travel

Refer to Tables 3 & 4.

Packing Type and Examples

The Standard packing is PTFE V-ring. Live-loaded low emission, graphite, KALREZ® and other packing arrangements are available. Refer to Figure 7.

Maximum Valve Sizing Coefficients

For standard coefficients at maximum travel, refer to Tables 24 & 25. For full list of coefficients refer to document P-CVSM.

Service Application

Refer to Tables 17 - 25.

For more information and other options contact your Dyna-Flo sales office.

Model 361 Control Valves

Technical Sales Bulletin



Table 1

Available Valve Configurations

Valve Model	Valve Size Inch	End Connection					
		NPT ⁽¹⁾	RF ⁽²⁾ and RTJ ⁽³⁾ (Flanged)			BWE ⁽⁴⁾	SWE ⁽⁵⁾
			ASME Class 150	ASME Class 300	ASME Class 600		
361	1 / 1-1/2 / 2	✓	✓	✓	✓	✓	✓
	3 / 4 / 6 / 8	✗	✓	✓	✓	✓	✗
361A	1 & 2	✗	✓	✓	✓	✓	✗
	3 / 4 / 6	✗	✓	✓	✓	✓	✗
Notes:	1 - NPT = Screwed.						
	2 - RF = Raised Face.						
	3 - RTJ = Ring Type Joint.						
	4 - BWE = Butt Weld (ASME Class 600 Only).						
	5 - SWE = Socket Weld (ASME Class 600 Only).						

Table 2

Standard Shut-Off Classifications (in accordance with ANSI/FCI 70.2 and IEC 60534-4)

Valve Trim	Seal Option	Port Diameter Inch (mm)	Shut-Off Class	
All	Single Graphite Piston Ring	1-5/16 - 8 (33 - 203)	Standard	Class II
		3-7/16 (87) or larger	Optional	Class III
	Multiple Graphite Piston Rings	4-3/8 (111) or larger	Optional	Class IV ⁽¹⁾
Notes:	1 - Except with Low-Noise III A1 Reduced Travel Trim.			

Table 3

Globe Valve Size, Port Diameters, Plug Travel, Stem and Yoke Boss Diameters

Port	Valve Size	Port Diameter		Max Valve Plug Travel		Standard Yoke Boss Diameter (YBD)			
		Inch	mm	Inch	mm	Stem Diameter		YBD	
						Inch	mm	Inch	mm
Full Port	1	1-5/16	33.3	3/4	19.1	3/8	9.5	2-1/8	54.0
	1-1/2	1-7/8	47.6	3/4	19.1	3/8	9.5	2-1/8	54.0
	2	2-5/16	58.7	1-1/8	28.6	1/2	12.7	2-13/16	71.4
	3	3-7/16	87.3	1-1/2	38.1	1/2	12.7	2-13/16	71.4
	4	4-3/8	111.1	2	50.8	1/2	12.7	2-13/16	71.4
	6	7	177.8	2	50.8	3/4	19.1	3-9/16	90.5
	8	8	203.2	3	76.2	3/4	19.1	3-9/16	90.5
Reduced Port	1-1/2	1-5/16	33.3	3/4	19.1	3/8	9.5	2-1/8	54.0
	2	1-5/16	33.3	3/4	19.1	1/2	12.7	2-13/16	71.4
	3	2-5/16	58.7	1-1/8	28.6	1/2	12.7	2-13/16	71.4
	4	2-7/8	73.0	1-1/2	38.1	1/2	12.7	2-13/16	71.4
	6	4-3/8	111.1	2	50.8	3/4	19.1	3-9/16	90.5



Model 361 Control Valves

Technical Sales Bulletin

Table 4

Angle Valve Size, Port Diameters, Plug Travel, Stem and Yoke Boss Diameters

Port	Valve Size	Port Diameter		Max Valve Plug Travel		Standard Yoke Boss Diameter (YBD)			
						Stem Diameter		YBD	
		Inch	Inch	mm	Inch	mm	Inch	mm	Inch
Full Port	1	1-5/16	33.3	3/4	19.1	3/8	9.5	2-1/8	54.0
	2	1-7/8	47.6	3/4	19.1	3/8	9.5	2-1/8	54.0
	3	2-7/8	73.0	1-1/2	38.1	1/2	12.7	2-13/16	71.4
	4	3-7/16	87.3	1-1/2	38.1	1/2	12.7	2-13/16	71.4
	6	4-3/8	111.1	2	50.8	1/2	12.7	2-13/16	71.4
Reduced Port	2	1-5/16	33.3	3/4	19.1	3/8	9.5	2-1/8	54.0
	4	2-5/16	58.7	1-1/8	28.6	1/2	12.7	2-13/16	71.4
	6	2-7/8	73.0	1-1/2	38.1	1/2	12.7	2-13/16	71.4

Table 5

Valve Body / Actuator Configurations and Approximate Weights

Valve Size (inch)	Body Only lb (Kg)	With Fail Open Actuator Size	Valve and Actuator Assembly Weight lb (Kg)	With Fail Closed Actuator Size	Valve and Actuator Assembly Weight lb (Kg)
1	30 (14)	DFO - 1046	66 (30)	DFC - 1046	64 (29)
		DFO - 1069	70 (32)	DFC - 1069	78 (26)
1-1/2	45 (20)	DFO - 1046	81 (37)	DFC - 1046	79 (36)
		DFO - 1069	85 (39)	DFC - 1069	93 (42)
2	85 (39)	DFO - 2069	136 (62)	DFC - 2069	135 (61)
		DFO - 2105	167 (76)	DFC - 2105	175 (79)
3	125 (57)	DFO - 2069	176 (80)	DFC - 2069	175 (79)
		DFO - 2105	207 (94)	DFC - 2105	215 (98)
4	170 (77)	DFO - 2105	252 (114)	DFC - 2105	260 (118)
		DFO - 2156	277 (126)	DFC - 2156	291 (132)
6	350 (159)	DFO - 3156	466 (211)	DFC - 3156	471 (214)
		DFO - 3220	585 (266)	DFC - 3220	604 (274)
8	900 (408)	DFO - 3220	1135 (515)	DFC - 3220	1154 (523)

Model 361 Control Valves

Technical Sales Bulletin



Table 6

Valve Body Dimensions with BWE* End Connection Inches (mm)
For 'C' Dimensions refer to Tables 10 to 16 on Pages 7 & 11.

Valve Size Inch	Globe Body		Angle Body
	A	B	A
1	8.25 (210)	2.38 (60)	4.12 (105)
1-1/2	9.88 (251)	2.81 (71)	—
2	11.25 (286)	3.06 (78)	5.62 (143)
3	13.25 (337)	3.81 (97)	6.62 (168)
4	15.50 (394)	5.06 (129)	7.75 (197)
6	20.00 (508)	5.50 (140)	10.00 (254)
8	24.00 (610)	7.50 (191)	—

***NOTE:** BWE - Butt weld.

Table 7

Valve Body Dimensions with SWE* End Connection Inches (mm)
For 'C' Dimensions refer to Tables 10 to 16 on Pages 7 & 11.

Valve Size Inch	Globe Body		Angle Body
	A	B	A
1	8.25 (210)	2.38 (60)	4.12 (105)
1-1/2	9.88 (251)	2.81 (71)	—
2	11.25 (286)	3.06 (78)	5.62 (143)
3	—	—	—
4	—	—	—
6	—	—	—
8	—	—	—

***NOTE:** SWE - Socket weld.



Model 361 Control Valves

Technical Sales Bulletin

Table 8

Angle Valve Body Dimensions with RF* End Connection Inches (mm)
 (Refer to Figure 2 on Page 12) (For 'C' Dimensions see Tables 10 to 16 on Pages 7 & 11)

Valve Size Inch	Pressure Rating	A
1 Inch	ASME Class 150	3.62 (92)
	ASME Class 300	3.88 (99)
	ASME Class 600	4.12 (105)
2 Inch	ASME Class 150	5.00 (127)
	ASME Class 300	5.25 (133)
	ASME Class 600	5.62 (143)
3 Inch	ASME Class 150	5.88 (149)
	ASME Class 300	6.25 (159)
	ASME Class 600	6.62 (168)
4 Inch	ASME Class 150	6.94 (176)
	ASME Class 300	7.25 (184)
	ASME Class 600	7.75 (197)
6 Inch	ASME Class 150	8.88 (226)
	ASME Class 300	9.31 (236)
	ASME Class 600	10.00 (254)

*NOTE: RF - Raised Face.

Table 9

Angle Valve Body Dimensions with RTJ* End Connection Inches (mm)
 (Refer to Figure 2 on Page 12) (For 'C' Dimensions see Tables 10 to 16 on Pages 7 & 11)

Valve Size Inch	Pressure Rating	A
1 Inch	ASME Class 150	3.88 (99)
	ASME Class 300	4.12 (105)
	ASME Class 600	4.12 (105)
2 Inch	ASME Class 150	5.25 (133)
	ASME Class 300	5.56 (141)
	ASME Class 600	5.69 (145)
3 Inch	ASME Class 150	6.12 (155)
	ASME Class 300	6.56 (167)
	ASME Class 600	6.69 (170)
4 Inch	ASME Class 150	7.19 (183)
	ASME Class 300	7.56 (192)
	ASME Class 600	7.81 (198)
6 Inch	ASME Class 150	9.12 (232)
	ASME Class 300	9.62 (244)
	ASME Class 600	10.06 (256)

*NOTE: RTJ - Ring Type Joint.

Model 361 Control Valves

Technical Sales Bulletin



Table 10

Valve Assembly (RF End Connection) with Standard Actuator Envelope Dimensions Inches (mm)
(with common stem diameter) (Refer to Figure 2 on Page 12)

Valve Size	Pressure Rating	Actuator Size	A	B	C*	D		E
						DFC	DFO	
1 Inch	ASME Class 150	1046	7.25 (184)	2.38 (60)	5.00 (127)	23.78 (604)	22.31 (567)	11.38 (289)
		1069	7.25 (184)	2.38 (60)	5.00 (127)	27.68 (703)	24.25 (616)	13.12 (333)
	ASME Class 300	1046	7.75 (197)	2.38 (60)	5.00 (127)	23.78 (604)	22.31 (567)	11.38 (289)
		1069	7.75 (197)	2.38 (60)	5.00 (127)	27.68 (703)	24.25 (616)	13.12 (333)
	ASME Class 600	1046	8.25 (210)	2.38 (60)	5.00 (127)	23.78 (604)	22.31 (567)	11.38 (289)
		1069	8.25 (210)	2.38 (60)	5.00 (127)	27.68 (703)	24.25 (616)	13.12 (333)
1-1/2 Inch	ASME Class 150	1046	8.75 (222)	2.81 (71)	4.88 (124)	23.66 (601)	22.19 (564)	11.38 (289)
		1069	8.75 (222)	2.81 (71)	4.88 (124)	27.56 (700)	24.13 (613)	13.12 (333)
	ASME Class 300	1046	9.25 (235)	2.81 (71)	4.88 (124)	23.66 (601)	22.19 (564)	11.38 (289)
		1069	9.25 (235)	2.81 (71)	4.88 (124)	27.56 (700)	24.13 (613)	13.12 (333)
	ASME Class 600	1046	9.88 (251)	2.81 (71)	4.88 (124)	23.66 (601)	22.19 (564)	11.38 (289)
		1069	9.88 (251)	2.81 (71)	4.88 (124)	27.56 (700)	24.13 (613)	13.12 (333)
2 Inch	ASME Class 150	2069	10.00 (254)	3.06 (78)	6.50 (165)	29.88 (759)	27.70 (704)	13.12 (333)
		2105	10.00 (254)	3.06 (78)	6.50 (165)	36.75 (933)	32.22 (818)	16.00 (406)
	ASME Class 300	2069	10.50 (267)	3.06 (78)	6.50 (165)	29.88 (759)	27.70 (704)	13.12 (333)
		2105	10.50 (267)	3.06 (78)	6.50 (165)	36.75 (933)	32.22 (818)	16.00 (406)
	ASME Class 600	2069	11.25 (286)	3.06 (78)	6.50 (165)	29.88 (759)	27.70 (704)	13.12 (333)
		2105	11.25 (286)	3.06 (78)	6.50 (165)	36.75 (933)	32.22 (818)	16.00 (406)
3 Inch	ASME Class 150	2069	11.75 (299)	3.81 (97)	7.50 (191)	30.88 (784)	28.70 (729)	13.12 (333)
		2105	11.75 (299)	3.81 (97)	7.50 (191)	37.75 (959)	33.22 (844)	16.00 (406)
	ASME Class 300	2069	12.50 (318)	3.81 (97)	7.50 (191)	30.88 (784)	28.70 (729)	13.12 (333)
		2105	12.50 (318)	3.81 (97)	7.50 (191)	37.75 (959)	33.22 (844)	16.00 (406)
	ASME Class 600	2069	13.25 (337)	3.81 (97)	7.50 (191)	30.88 (784)	28.70 (729)	13.12 (333)
		2105	13.25 (337)	3.81 (97)	7.50 (191)	37.75 (959)	33.22 (844)	16.00 (406)
4 Inch	ASME Class 150	2105	13.88 (353)	5.06 (129)	8.69 (221)	38.94 (989)	34.41 (874)	16.00 (406)
		2156	13.88 (353)	5.06 (129)	8.69 (221)	38.94 (989)	34.41 (874)	18.62 (460)
	ASME Class 300	2105	14.50 (368)	5.06 (129)	8.69 (221)	38.94 (989)	34.41 (874)	16.00 (406)
		2156	14.50 (368)	5.06 (129)	8.69 (221)	38.94 (989)	34.41 (874)	18.62 (460)
	ASME Class 600	2105	15.50 (394)	5.06 (129)	8.69 (221)	38.94 (989)	34.41 (874)	16.00 (406)
		2156	15.50 (394)	5.06 (129)	8.69 (221)	38.94 (989)	34.41 (874)	18.62 (460)
		3220	15.50 (394)	5.06 (129)	8.56 (217)	45.17 (1147)	41.38 (1051)	21.12 (536)
6 Inch	ASME Class 150	3156	17.75 (451)	5.50 (140)	9.88 (311)	40.79 (1036)	37.98 (888)	18.62 (473)
		3220	17.75 (451)	5.50 (140)	9.88 (311)	46.36 (1178)	42.57 (1081)	21.12 (536)
	ASME Class 300	3156	18.62 (473)	5.50 (140)	9.88 (311)	40.79 (1036)	37.98 (888)	18.62 (473)
		3220	18.62 (473)	5.50 (140)	9.88 (311)	46.36 (1178)	42.57 (1081)	21.12 (536)
	ASME Class 600	3156	20.00 (508)	5.50 (140)	9.88 (311)	40.79 (1036)	37.98 (888)	18.62 (473)
		3220	20.00 (508)	5.50 (140)	9.88 (311)	46.36 (1178)	42.57 (1081)	21.12 (536)



Model 361 Control Valves

Technical Sales Bulletin

Table 10 (Continued)

Valve Assembly (RF End Connection) with Standard Actuator Envelope Dimensions Inches (mm)
(with common stem diameter) (Refer to Figure 2 on Page 12)

Valve Size	Pressure Rating	Actuator Size	A	B	C*	D		E
						DFC	DFO	
8 Inch	ASME Class 150	3220	21.38 (543)	7.50 (191)	16.56 (421)*	53.04 (1347)	49.25 (1251)	21.12 (536)
	ASME Class 300	3220	22.38 (556)	7.50 (191)	16.56 (421)*	53.04 (1347)	49.25 (1251)	21.12 (536)
	ASME Class 600	3220	24.00 (610)	7.50 (191)	16.56 (421)*	53.04 (1347)	49.25 (1251)	21.12 (536)

***NOTE:** 'C' dimensions (and 'D' dimensions) will vary depending on valve stem diameter, refer to Tables 13 to 16.

Table 11

Valve Assembly (RTJ End Connection) with Standard Actuator Envelope Dimensions Inches (mm)
(with common stem diameter) (Refer to Figure 2 on Page 12)

Valve Size	Pressure Rating	Actuator Size	A	B	C*	D		E
						DFC	DFO	
1 Inch	ASME Class 150	1046	7.75 (197)	2.38 (60)	5.00 (127)	23.78 (604)	22.31 (567)	11.38 (289)
		1069	7.75 (197)	2.38 (60)	5.00 (127)	27.68 (703)	24.25 (616)	13.12 (333)
	ASME Class 300	1046	8.25 (210)	2.38 (60)	5.00 (127)	23.78 (604)	22.31 (567)	11.38 (289)
		1069	8.25 (210)	2.38 (60)	5.00 (127)	27.68 (703)	24.25 (616)	13.12 (333)
	ASME Class 600	1046	8.25 (210)	2.38 (60)	5.00 (127)	23.78 (604)	22.31 (567)	11.38 (289)
		1069	8.25 (210)	2.38 (60)	5.00 (127)	27.68 (703)	24.25 (616)	13.12 (333)
1-1/2 Inch	ASME Class 150	1046	9.25 (235)	2.81 (71)	4.88 (124)	23.66 (601)	22.19 (564)	11.38 (289)
		1069	9.25 (235)	2.81 (71)	4.88 (124)	27.56 (700)	24.13 (613)	13.12 (333)
	ASME Class 300	1046	9.75 (248)	2.81 (71)	4.88 (124)	23.66 (601)	22.19 (564)	11.38 (289)
		1069	9.75 (248)	2.81 (71)	4.88 (124)	27.56 (700)	24.13 (613)	13.12 (333)
	ASME Class 600	1046	9.88 (251)	2.81 (71)	4.88 (124)	23.66 (601)	22.19 (564)	11.38 (289)
		1069	9.88 (251)	2.81 (71)	4.88 (124)	27.56 (700)	24.13 (613)	13.12 (333)
2 Inch	ASME Class 150	2069	10.50 (267)	3.06 (78)	6.50 (165)	29.88 (759)	27.70 (704)	13.12 (333)
		2105	10.50 (267)	3.06 (78)	6.50 (165)	36.75 (933)	32.22 (818)	16.00 (406)
	ASME Class 300	2069	11.12 (282)	3.06 (78)	6.50 (165)	29.88 (759)	27.70 (704)	13.12 (333)
		2105	11.12 (282)	3.06 (78)	6.50 (165)	36.75 (933)	32.22 (818)	16.00 (406)
	ASME Class 600	2069	11.38 (289)	3.06 (78)	6.50 (165)	29.88 (759)	27.70 (704)	13.12 (333)
		2105	11.38 (289)	3.06 (78)	6.50 (165)	36.75 (933)	32.22 (818)	16.00 (406)
3 Inch	ASME Class 150	2069	12.25 (311)	3.81 (97)	7.50 (191)	30.88 (784)	28.70 (729)	13.12 (333)
		2105	12.25 (311)	3.81 (97)	7.50 (191)	37.75 (959)	33.22 (844)	16.00 (406)
	ASME Class 300	2069	13.12 (333)	3.81 (97)	7.50 (191)	30.88 (784)	28.70 (729)	13.12 (333)
		2105	13.12 (333)	3.81 (97)	7.50 (191)	37.75 (959)	33.22 (844)	16.00 (406)
	ASME Class 600	2069	13.38 (340)	3.81 (97)	7.50 (191)	30.88 (784)	28.70 (729)	13.12 (333)
		2105	13.38 (340)	3.81 (97)	7.50 (191)	37.75 (959)	33.22 (844)	16.00 (406)

Model 361 Control Valves

Technical Sales Bulletin



Table 11 (Continued)

Valve Assembly (RTJ End Connection) with Standard Actuator Envelope Dimensions Inches (mm)
(with common stem diameter) (Refer to Figure 2 on Page 12)

Valve Size	Pressure Rating	Actuator Size	A	B	C*	D		E
						DFC	DFO	
4 Inch	ASME Class 150	2105	14.38 (365)	5.06 (129)	8.69 (221)	38.94 (989)	34.41 (874)	16.00 (406)
		2156	14.38 (365)	5.06 (129)	8.69 (221)	38.94 (989)	34.41 (874)	18.62 (460)
	ASME Class 300	2105	15.12 (384)	5.06 (129)	8.69 (221)	38.94 (989)	34.41 (874)	16.00 (406)
		2156	15.12 (384)	5.06 (129)	8.69 (221)	38.94 (989)	34.41 (874)	18.62 (460)
	ASME Class 600	2105	15.62 (397)	5.06 (129)	8.69 (221)	38.94 (989)	34.41 (874)	16.00 (406)
		2156	15.62 (397)	5.06 (129)	8.69 (221)	38.94 (989)	34.41 (874)	18.62 (460)
3220		15.62 (397)	5.06 (129)	8.56 (217)	45.17 (1147)	41.38 (1051)	21.12 (536)	
6 Inch	ASME Class 150	3156	18.25 (464)	5.50 (140)	9.88 (311)	40.79 (1036)	37.98 (888)	18.62 (473)
		3220	18.25 (464)	5.50 (140)	9.88 (311)	46.36 (1178)	42.57 (1081)	21.12 (536)
	ASME Class 300	3156	19.25 (489)	5.50 (140)	9.88 (311)	40.79 (1036)	37.98 (888)	18.62 (473)
		3220	19.25 (489)	5.50 (140)	9.88 (311)	46.36 (1178)	42.57 (1081)	21.12 (536)
	ASME Class 600	3156	20.12 (511)	5.50 (140)	9.88 (311)	40.79 (1036)	37.98 (888)	18.62 (473)
		3220	20.12 (511)	5.50 (140)	9.88 (311)	46.36 (1178)	42.57 (1081)	21.12 (536)
8 Inch	ASME Class 150	3220	21.88 (556)	7.50 (191)	16.56 (421)*	53.04 (1347)	49.25 (1251)	21.12 (536)
	ASME Class 300	3220	23.00 (584)	7.50 (191)	16.56 (421)*	53.04 (1347)	49.25 (1251)	21.12 (536)
	ASME Class 600	3220	24.12 (613)	7.50 (191)	16.56 (421)*	53.04 (1347)	49.25 (1251)	21.12 (536)

***NOTE:** 'C' dimensions (and 'D' dimensions) will vary depending on valve stem diameter, refer to Tables 13 to 16.

Table 12

Valve Assembly (NPT End Connection) with Standard Actuator Envelope Dimensions Inches (mm)
(with common stem diameter) (Refer to Figure 2 on Page 12)

Valve Size	Pressure Rating	Actuator Size	A	B	C*	D		E
						DFC	DFO	
1 Inch	ASME Class 600 NPT	1046	8.25 (210)	2.38 (60)	5.00 (127)	23.78 (604)	22.31 (567)	11.38 (289)
		1069	8.25 (210)	2.38 (60)	5.00 (127)	27.68 (703)	24.25 (616)	13.12 (333)
1-1/2 Inch	ASME Class 600 NPT	1046	9.88 (251)	2.81 (71)	4.88 (124)	23.66 (601)	22.19 (564)	11.38 (289)
		1069	9.88 (251)	2.81 (71)	4.88 (124)	27.56 (700)	24.13 (613)	13.12 (333)
2 Inch	ASME Class 600 NPT	2069	11.25 (286)	3.06 (78)	6.50 (165)	29.88 (759)	27.70 (704)	13.12 (333)
		2105	11.25 (286)	3.06 (78)	6.50 (165)	36.75 (933)	32.22 (818)	16.00 (406)
		2156	11.25 (286)	3.06 (78)	6.50 (165)	36.75 (933)	32.22 (818)	18.62 (406)

***NOTE:** 'C' dimensions (and 'D' dimensions) will vary depending on valve stem diameter, refer to Tables 13 to 16.



Model 361 Control Valves

Technical Sales Bulletin

Table 13

Valve Dimensions for Standard Bonnet Assembly - Inches (mm) (Refer to Figure 2, Page 12)

Valve Size (Inch)	C			
	3/8 (9.5) Stem Diameter	1/2 (12.7) Stem Diameter	3/4 (19.1) Stem Diameter	1 (25.4) Stem Diameter
1	5.00 (127)	5.88 (149)	—	—
1-1/2	4.88 (124)	5.75 (146)	—	—
2	—	6.50 (165)	6.38 (162)	—
3	—	7.50 (191)	7.38 (187)	—
4	—	8.69 (221)	8.56 (217)	10.38 (264)
6	—	—	9.88 (251)	10.62 (270)
6 ⁽¹⁾	—	—	12.26 (312)	13.00 (330)
8	—	—	Refer to Style 1 in Table 14	
NOTES:	1 - Dimensions for Low-Noise trim.			

Table 14

Extension Bonnet Valve Dimensions - Inches (mm) (Refer to Figure 2, Page 12)

Valve Size (Inch)	C						
	Stem Diameter Inch (mm)						
	Style 1 - Standard for 8 inch				Style 2		
	3/8 (9.5)	1/2 (12.7)	3/4 (19.1)	1 (25.4)	3/8 (9.5)	1/2 (12.7)	3/4 (19.1)
1	8.38 (213)	9.88 (251)	—	—	11.94 (303)	12.56 (319)	—
1-1/2	8.25 (210)	9.75 (248)	—	—	11.81 (300)	12.44 (316)	—
2	—	10.50 (267)	10.69 (272)	—	—	18.31 (465)	—
3	—	11.50 (292)	11.69 (297)	—	—	19.50 (495)	19.19 (487)
4	—	12.69 (322)	12.88 (327)	14.56 (370)	—	20.69 (526)	20.38 (518)
6	—	—	14.06 (357)	15.81 (402)	—	—	21.38 (543)
6 ⁽¹⁾	—	—	16.44 (418)	18.19 (462)	—	—	23.76 (604)
8	—	—	16.56 (421)	17.75 (451)	—	—	24.44 (621)
NOTES:	1 - Dimensions for Low-Noise trim.						

Model 361 Control Valves

Technical Sales Bulletin



Table 15

Valve Dimensions for Angle Body Standard Bonnet Assembly - Inches (mm) (Refer to Figure 2, Page 12)

Valve Size (Inch)	C			
	3/8 (9.5) Stem Diameter	1/2 (12.7) Stem Diameter	3/4 (19.1) Stem Diameter	1 (25.4) Stem Diameter
1	4.38 (111)	5.25 (133)	—	—
2	3.88 (99)	4.75 (121)	—	—
3	—	5.88 (149)	5.75 (146)	—
4	—	5.50 (140)	5.38 (137)	—
6	—	7.00 (178)	6.87 (175)	8.69 (221)

Table 16

Valve Dimensions for Angle Body Extension Bonnet Assembly - Inches (mm) (Refer to Figure 2, Page 12)

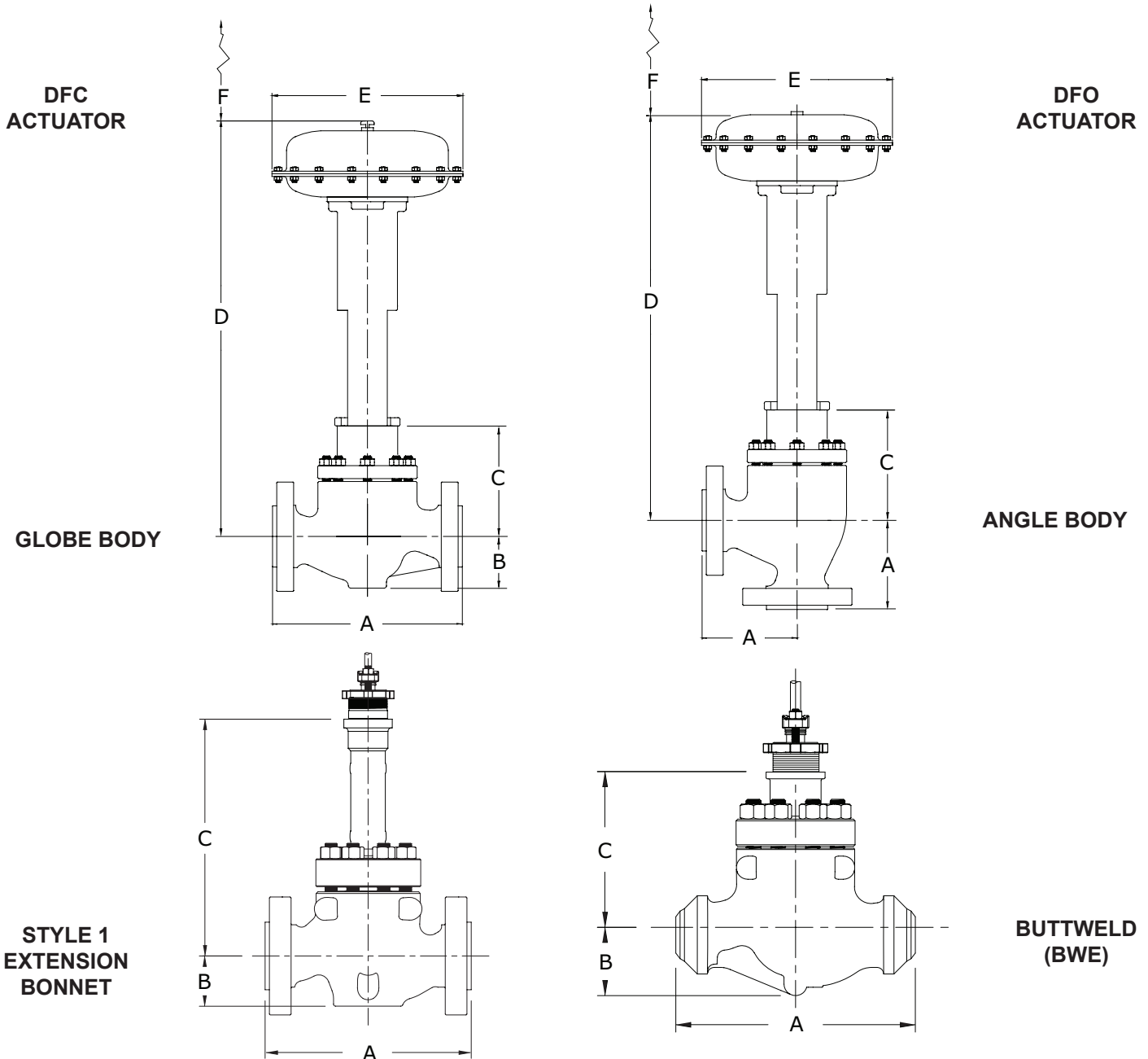
Valve Size (Inch)	C					
	Stem Diameter Inch (mm)					
	Style 1			Style 2		
	3/8 (9.5)	1/2 (12.7)	3/4 (19.1)	3/8 (9.5)	1/2 (12.7)	3/4 (19.1)
1	7.75 (197)	9.95 (253)	—	11.44 (291)	12.00 (305)	—
2	7.25 (184)	8.75 (222)	—	10.94 (278)	11.44 (291)	—
3	—	9.88 (251)	10.06 (256)	—	17.88 (454)	—
4	—	9.50 (241)	9.69 (170)	—	17.50 (445)	17.19 (437)
6	—	11.00 (279)	11.19 (284)	—	19.00 (483)	18.69 (475)

NOTE: For Low-Temp. bonnet dimensions, consult Dyna-Flo.



Model 361 Control Valves

Technical Sales Bulletin



F Dimension

1" to 2" Valve - 6.88" (175 mm)	4" Valve - 9.12" (232 mm)
3" Valve - 6.88" (175 mm)	6" Valve - 9.12" (232 mm)
3" Valve - 9.12" (232 mm) For DFC/DFO 3156	

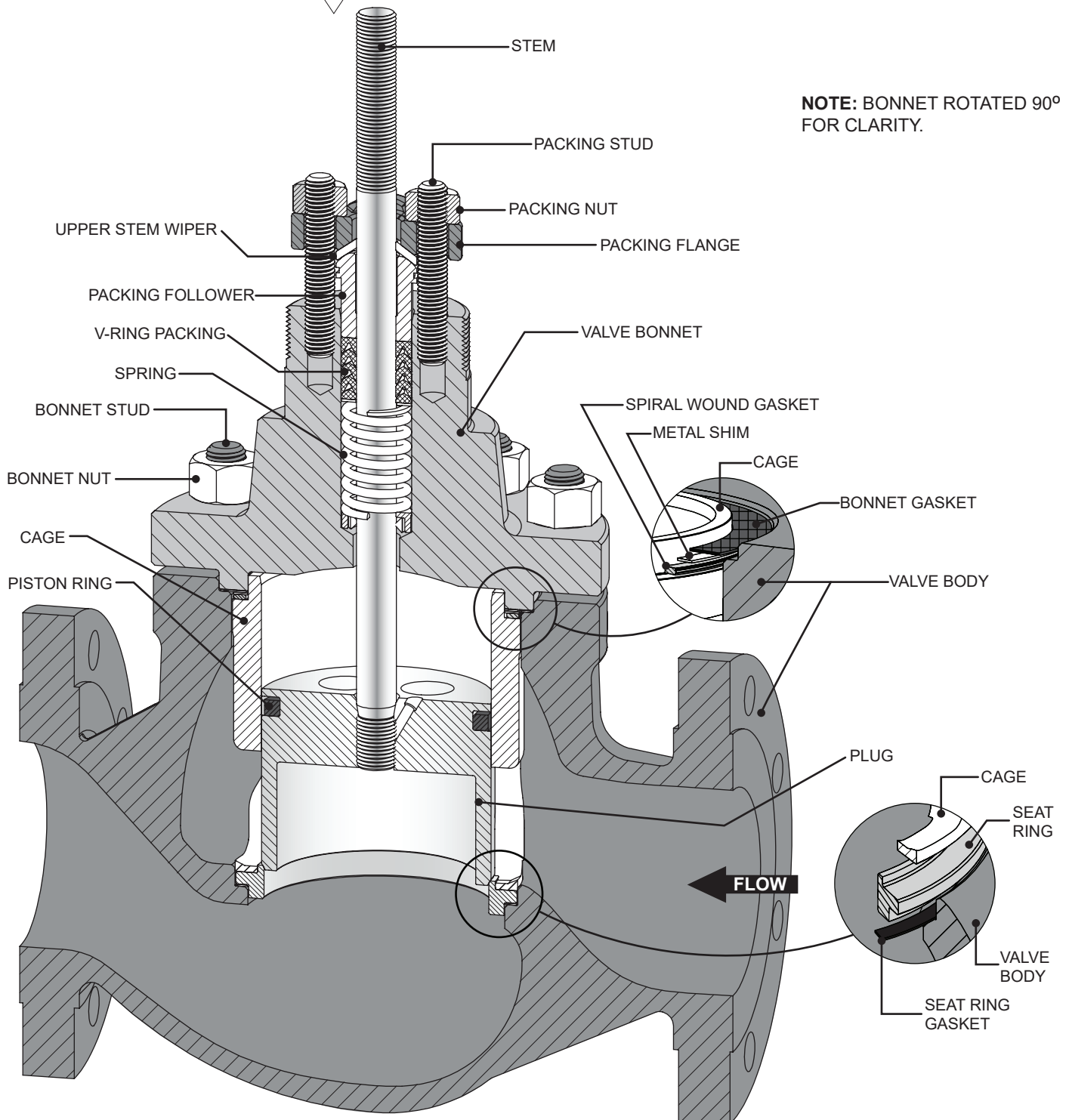
Figure 2 Typical Valve Assembly Diagrams

Model 361 Control Valves

Technical Sales Bulletin



Figure 3 Cross-section of 360 Series Control Valve Standard Construction



REFER TO PAGE 16 FOR PACKING ARRANGEMENTS

Dyna-Flo Control Valve Services Ltd.

P-361B1021A

Phone: 780 • 469 • 4000

Toll Free: 1 • 866 • 396 • 2356

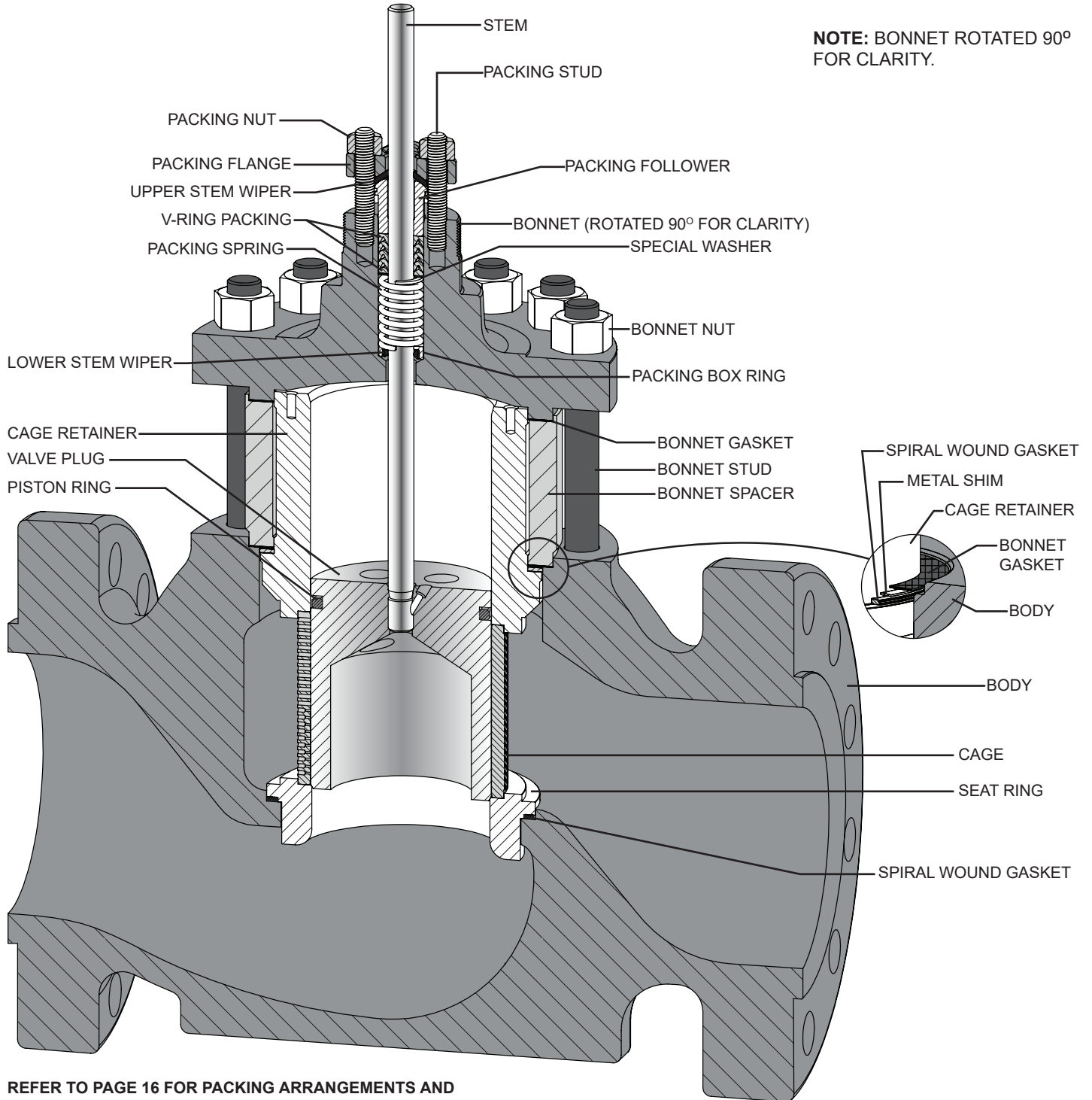
Fax: 780 • 469 • 4035

Website: www.dynaflo.com



Model 361 Control Valves

Technical Sales Bulletin



REFER TO PAGE 16 FOR PACKING ARRANGEMENTS AND PAGE 15 FOR PLUG/SEAL ARRANGEMENTS.

Figure 4 Standard Low-Noise Valve Assembly

Model 361 Control Valves

Technical Sales Bulletin

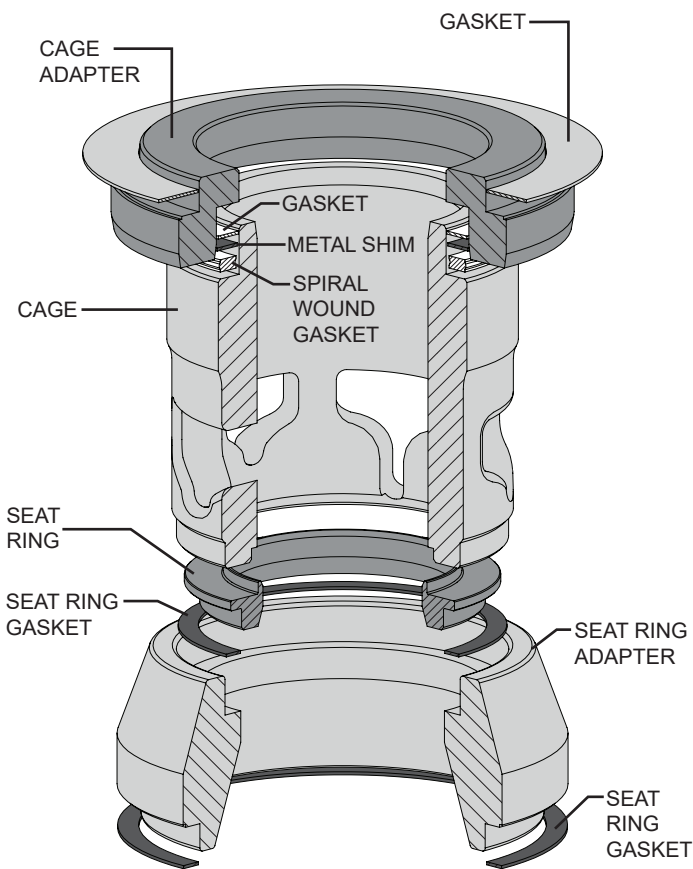


Figure 5 *Reduced Trim Assembly Diagram*

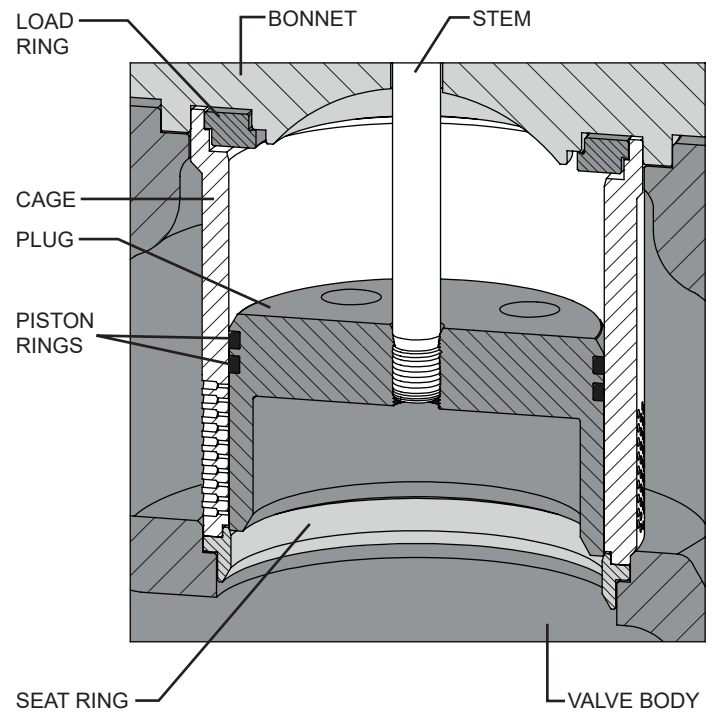


Figure 6 *8 Inch Low-Noise Valve Assembly With Load Ring Detail*

Model 361 Control Valves

Technical Sales Bulletin

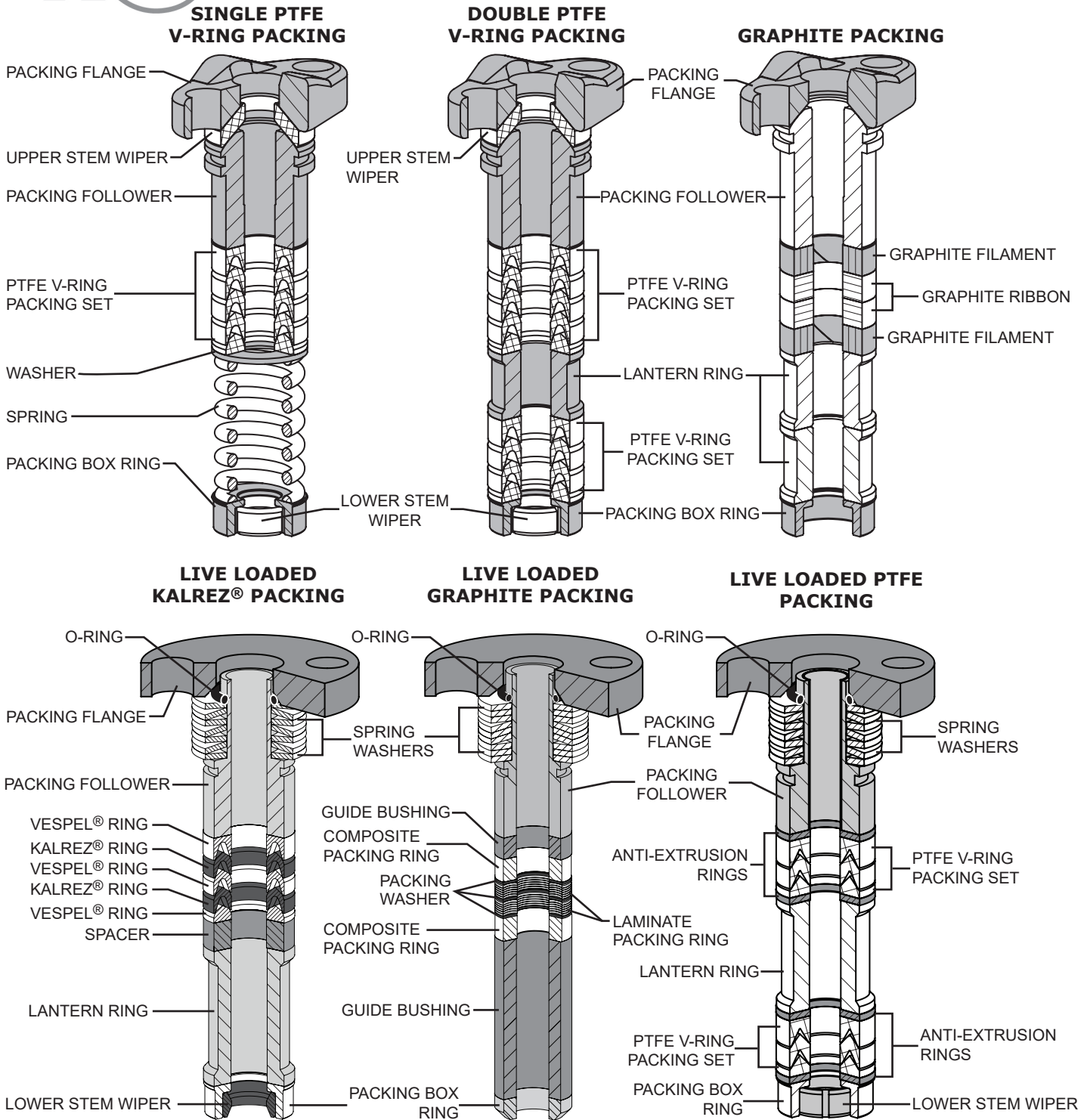


Figure 7 Typical Packing Arrangements

Model 361 Control Valves

Technical Sales Bulletin



Table 17

Body to Bonnet Bolting Temperature Limitations

Body Material	ASME Class	Bolt/Nut Material	Temperature Limitations			
			Min. °F	Max. °F	Min. °C	Max. °C
LCC	150/300/600	B7/2H ⁽¹⁾⁽²⁾	-50	650	-46	343
		B7M/2HM ⁽³⁾	-50	650	-46	343
WCC/WC9	150/300/600	B7/2H ⁽¹⁾⁽²⁾	-20	800	-29	427
		B7M/2HM ⁽³⁾	-20	800	-29	427
CF8M	150/300/600	B7 Fluorokote #1 / 2H Fluorokote #1 (Standard) ⁽²⁾	-50	500	-46	260
		B8M/8M ⁽²⁾	-325	800	-198	427
		B7M Fluorokote #1/ 2HM Fluorokote #1 ⁽³⁾	-50	500	-46	260

NOTES:

- 1 - Standard non-NACE option.
- 2 - NACE MR0175/ISO15156 Non-Exposed Bolting option (Bolting that is not directly exposed to sour environments and is not to be buried, insulated, equipped with flange protectors, or otherwise denied direct atmospheric exposure).
- 3 - NACE MR0175/ISO15156 Exposed Bolting option (Bolting that will be exposed directly to the sour environment or that will be buried, insulated, equipped with flange protectors, or otherwise denied direct atmospheric exposure).

Table 18

Common Valve Parts Typical Construction Materials and Temperature Limitations

Part	Material	Temperature Limitations			
		Min. °F	Max. °F	Min. °C	Max. °C
Valve Stem	S20910	NLF ⁽¹⁾	NLF ⁽¹⁾	NLF ⁽¹⁾	NLF ⁽¹⁾
Load Ring (8 Inch Valves Only)	S17400	-150	600	-101	316
Cage Adapter (Reduced Trim)	S31600/S31603 Dual Grade	NLF ⁽¹⁾	NLF ⁽¹⁾	NLF ⁽¹⁾	NLF ⁽¹⁾
	A350 Grade LF2	-50	650	-46	343
Seat Ring Adapter (Reduced Trim)	S31600/S31603 Dual Grade	NLF ⁽¹⁾	NLF ⁽¹⁾	NLF ⁽¹⁾	NLF ⁽¹⁾
	A350 Grade LF2	-50	650	-46	343
Piston Ring	Graphite	-50	1100 ⁽²⁾	-46	593 ⁽²⁾
Seat Ring / Bonnet / Cage Gaskets	S31600 / Graphite	NLF ⁽¹⁾	NLF ⁽¹⁾	NLF ⁽¹⁾	NLF ⁽¹⁾
Spiral Wound Gaskets	S30400 / Graphite	-50	650	-46	343
	N06600 / Graphite	NLF ⁽¹⁾	NLF ⁽¹⁾	NLF ⁽¹⁾	NLF ⁽¹⁾
Shim	S30400	NLF ⁽¹⁾	NLF ⁽¹⁾	NLF ⁽¹⁾	NLF ⁽¹⁾
Packing	PTFE V-Ring	-50	450	-46	232
	Graphite (Ribbon/Filament)	-325	1000 ⁽³⁾	-198	538 ⁽³⁾

NOTES:

- 1 - NLF - This Material is Not A Limiting Factor. For the temperature limitation refer to the valve body material temperature limit.
- 2 - Oxidizing service limited to 1000°F (538°C).
- 3 - Oxidizing service limited to 700°F (371°C).



Model 361 Control Valves

Technical Sales Bulletin

Table 19

Bonnet and Packing Selection⁽¹⁾

Bonnet Style	Packing Material	In-Body Process Temperature Limitations
Standard Bonnet: Standard for valve sizes 1 through 6 inch.	PTFE V-Ring	0°F to 450°F (-18°C to 232°C)
	Graphite (Ribbon/Filament)	0°F to 1000°F (-18°C to 538°C) ⁽²⁾
Extension Bonnet Style 1: Standard for 8 inch valves. Optional for valve sizes 1 through 6 inch.	PTFE V-Ring	-50°F to 800°F (-46°C to 427°C)
	Graphite (Ribbon/Filament)	-50°F to 1000°F (-46°C to 1000°C) ⁽²⁾
Extension Bonnet Style 2: Optional for 1 though 8 inch valve sizes.	PTFE V-Ring	-150°F to 800°F (-101°C to 427°C)
	Graphite (Ribbon/Filament)	-150°F to 1000°F (-101°C to 538°C) ⁽²⁾

1 The above temperatures assume the presence of an ambient temperature outside the valve body of 70°F (21°C) with no bonnet insulation. An extension bonnet may be required when operating valves in low temperatures to prevent damage that could occur from the formation of valve stem frost. Other limiting factors, such as trim material components, will have to be considered. Refer to the Live Loaded Sliding Stem Packing Manual (Part Number P-LLPS) for Live Loaded packing temperature limitations.

2 Maximum temperature limited to 700°F (371°C) for oxidizing service.

NOTE: For temperatures above or below these standard temperatures consult Dyna-Flo.

Table 20

Standard Trim Options (Refer to Figures 8A to 8C for Pressure / Temperature Limits)

Trim Spec	Valve Plug	Stem	Cage	Seat Ring	Service
D1	S41600 HT	S20910	S17400 H900	S41600 HT	Standard / Non-corrosive
Characteristics:	Equal Percentage / Linear / Quick Opening / Low-Noise				
D2	S31600 ⁽²⁾ / Alloy 6 Hard Faced Seat	S20910	S17400 DH1150 ⁽¹⁾	S31600 ⁽²⁾ / Alloy 6 Hard Faced Seat	Corrosive / NACE ⁽³⁾
Characteristics:	Equal Percentage / Linear / Quick Opening				
D4	S31600 ⁽²⁾	S20910	S17400 H900	S31600 ⁽²⁾	General / Mild Corrosive
Characteristics:	Equal Percentage / Linear / Quick Opening / Low-Noise				
D6	S31600 ⁽²⁾ / Alloy 6 Hard Faced Seat & Guide	S20910	S17400 H900	S31600 ⁽²⁾ / Alloy 6 Hard Faced Seat	Standard / Mild Corrosive / Mild Erosive
Characteristics:	Equal Percentage / Linear / Quick Opening / Low-Noise / Anti-Cavitation				
D7	S31600 ⁽²⁾ / Alloy 6 Hard Faced Seat & Guide	S20910	S17400 DH1150	S31600 ⁽²⁾ / Alloy 6 Hard Faced Seat	Corrosive / NACE ⁽³⁾ / Mild Erosive
Characteristics:	Equal Percentage / Linear / Quick Opening / Low-Noise / Anti-Cavitation				
D8	S31600 ⁽²⁾	S20910	S17400 DH1150 ⁽¹⁾	S31600 ⁽²⁾	NACE ⁽³⁾ / Corrosive
Characteristics:	Equal Percentage / Linear / Quick Opening / Low-Noise				
DJ	S31600 ⁽²⁾	S20910	S31600 ⁽²⁾ / ENC	S31600 ⁽²⁾	NACE ⁽³⁾
Characteristics:	Equal Percentage / Linear / Quick Opening / Low-Noise				
DC	S31600 ⁽²⁾ / Alloy 6 Hard Faced Seat	S20910	S31600 ⁽²⁾ / ENC	S31600 ⁽²⁾ / Alloy 6 Hard Faced Seat	NACE ⁽³⁾
Characteristics:	Equal Percentage / Linear / Quick Opening / Low-Noise				
DE	S31600 ⁽²⁾ / Alloy 6 Hard Faced Seat & Guide	S20910	S31600 ⁽²⁾ / ENC	S31600 ⁽²⁾ / Alloy 6 Hard Faced Seat	NACE ⁽³⁾
Characteristics:	Equal Percentage / Linear / Quick Opening / Low-Noise				

NOTE:

- 1** - S31600 (ENC)* available by special request (*Electroless Nickel Coating).
- 2** - All S31600 barstock is dual grade S31600/S31603 (316/316L).
- 3** - Metal trim parts compatible with NACE MR0175/ISO 15156. Environmental restrictions may apply.

Model 361 Control Valves

Technical Sales Bulletin



Table 21

High Temperature Trim Options (Refer to Figures 10A to 10D for Pressure / Temperature Limits)

Trim Spec	Valve Plug	Stem	Cage	Seat Ring	Service
D2H	S31600 ⁽¹⁾ / Alloy 6 Hard Faced Seat	S20910	S17400 DH1150	S31600 ⁽¹⁾ / Alloy 6 Hard Faced Seat	Corrosive / NACE ⁽³⁾
Characteristics:	Equal Percentage / Linear / Quick Opening				
D4H	S31600 ⁽¹⁾	S20910	S17400 PH	S31600 ⁽¹⁾	General / Mild Corrosive
Characteristics:	Equal Percentage / Linear / Quick Opening / Low-Noise				
D6H	S31600 ⁽¹⁾ / Alloy 6 Hard Faced Seat & Guide	S20910	S17400 PH	S31600 ⁽¹⁾ / Alloy 6 Hard Faced Seat	Standard / Mild Corrosive / Mild Erosive
Characteristics:	Equal Percentage / Linear / Quick Opening / Low-Noise / Anti-Cavitation				
D7H	S31600 ⁽¹⁾ / Alloy 6 Hard Faced Seat & Guide	S20910	S17400 DH1150	S31600 ⁽¹⁾ / Alloy 6 Hard Faced Seat	Corrosive / NACE ⁽³⁾ / Mild Erosive
Characteristics:					
D8H	S31600 ⁽¹⁾	S20910	S17400 DH1150	S31600 ⁽¹⁾	NACE ⁽³⁾ / Corrosive
Characteristics:	Equal Percentage / Linear / Quick Opening / Low-Noise				

NOTE:

- 1 - All S31600 barstock is dual grade S31600/S31603 (316/316L).
- 2 - Metal trim parts compatible with NACE MR0175/ISO 15156. Environmental restrictions may apply.

Table 22

Valve Body/Trim Option Temperature Limitations (Refer to Figure 8 for Pressure/Temperature limits)

Body Material	Trim Designation	Temperature Limitations			
		Min. °F	Max. °F	Min. °C	Max. °C
LCC	D1	-20	800	-29	427
	D2, D4, D6, D7, D8	-50	450	-46	232
	DC, DE	-50	650	-46	343
	DJ	-50	450 ⁽¹⁾	-46	232 ⁽¹⁾
CF8M	DE	-325	650	-198	343
	DJ	-325	450 ⁽¹⁾	-198	232 ⁽¹⁾
WCC	D1	-20	800	-29	427
	D2, D4, D6, D7, D8	-20	450	-29	232
	DC, DE	-20	650	-29	343
	DJ	-20	450	-29	232
WC9	D1	-20	600	-29	316
	D2, D4, D6, D7, D8	-20	450	-29	232
	DC, DE	-20	650	-29	343
	DJ	-20	450 ⁽¹⁾	-29	232 ⁽¹⁾

NOTES:

- 1 - Maximum temperature limited to 300°F (149°C) for non-lubricating service such as steam or dry gas.



Model 361 Control Valves

Technical Sales Bulletin

Table 23

Valve Body/High Temperature Trim Option Temperature Limitations

Body Material	Trim Designation ⁽¹⁾	Temperature Limitations			
		Min. °F	Max. °F	Min. °C	Max. °C
LCC	D2H, D4H, D6H, D7H, D8H	450	800	232	427
WCC	D2H, D4H, D6H, D7H, D8H	450	800	232	427
WC9	D2H, D4H, D6H, D7H, D8H	450	800	232	427

NOTES:

1 - High Temperature Trim is not to be used in non-lubricating service such as steam or dry gas.

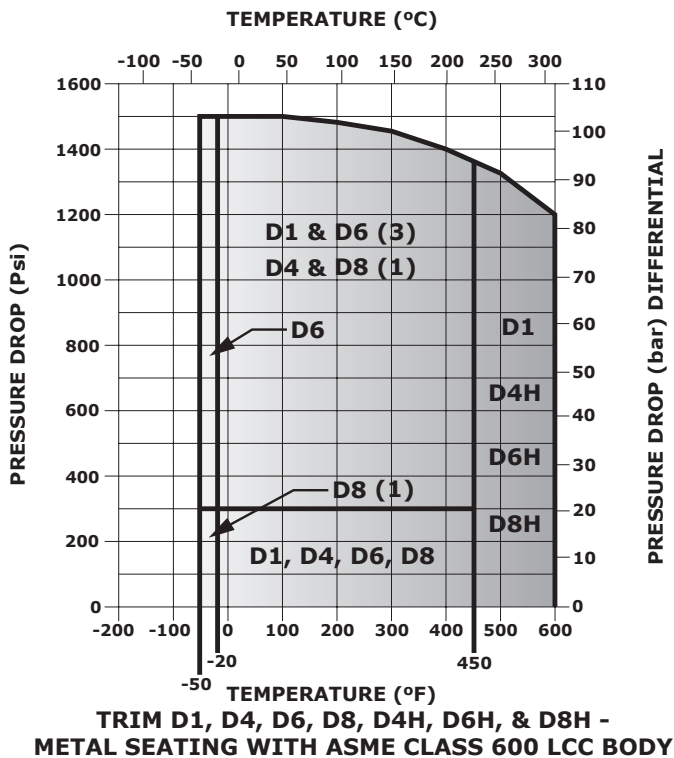


Figure 8A
Trim D1, D4, D6, D8, D4H, D6H, & D8H
Pressure and Temperature Limitations

NOTES:	
1	Trim can be used to 1,440 Psi (99 bar) when used with clean dry gas. When used with other process fluids, do not exceed 300 Psi (21 bar).
2	Use other trim for non-lubricating fluids (such as dry gas or steam) between 300°F (149°C) and 450°F (232°C).

Model 361 Control Valves

Technical Sales Bulletin

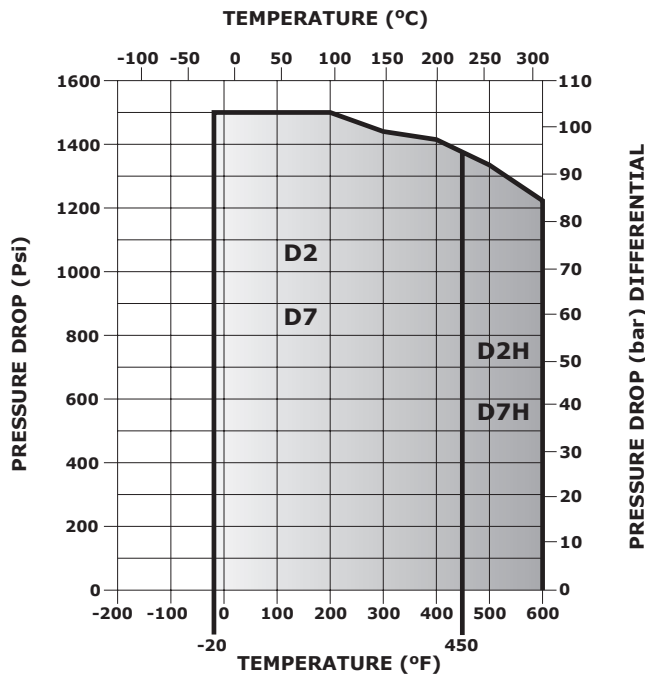


Figure 10B

Trim D2, D7, DR, D2H, D7H, & DR
Pressure and Temperature Limitations

TRIM D2, D7, D2H, & D7H - FOR METAL SEATING
WITH ASME CLASS 600 WCC OR WC9 BODY

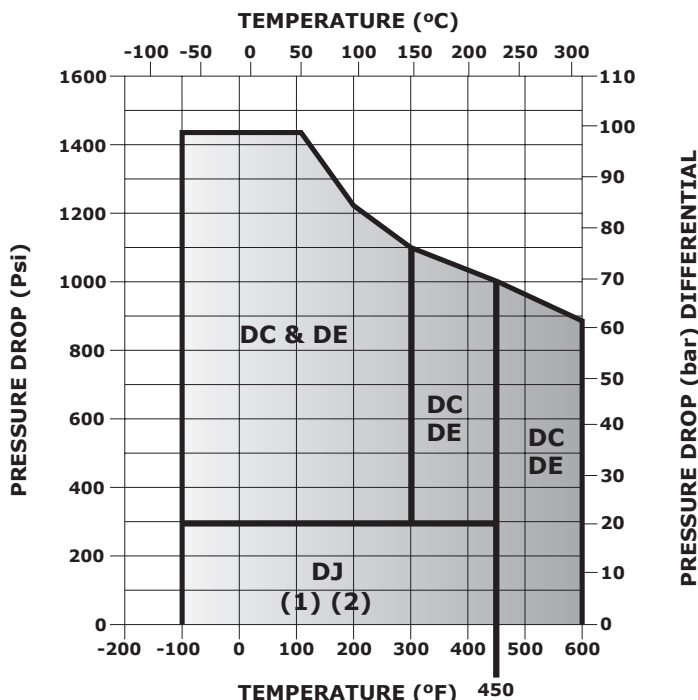


Figure 10C

Trim DE DJ
Pressure and Temperature Limitations

TRIM DC, DE, DJ, & DN - METAL SEATING WITH
ASME CLASS 600 CF8M BODY

NOTES:

- 1 Trim can be used to 1,440 Psi (99 bar) when used with clean dry gas. When used with other process fluids, do not exceed 300 Psi (21 bar).
- 2 Use other trim for non-lubricating fluids (such as dry gas or steam) between 300°F (149°C) and 450°F (232°C).



Model 361 Control Valves

Technical Sales Bulletin

Table 23

MAXIMUM SIZING COEFFICIENTS
FULL PORT
EQUAL PERCENTAGE CHARACTERISTIC
GLOBE BODY VALVE
FLOW DOWN

Valve Size Inches	Port Inches (mm)	Travel Inches (mm)	Coefficient	Percentage of Valve Travel
				100%
1	1-5/16 (33.3)	3/4 (19.1)	C _v	17.2
1-1/2	1-7/8 (47.6)	3/4 (19.1)	C _v	35.8
2	2-5/16 (58.7)	1-1/8 (28.6)	C _v	59.7
3	3-7/16 (87.3)	1-1/2 (38.1)	C _v	136
4	4-3/8 (111.1)	2 (50.8)	C _v	224
6	7 (177.8)	2 (50.8)	C _v	394
8	8 (203.2)	2 (50.8)	C _v	567
		3 (76.2)	C _v	818

NOTE: For the complete list of sizing coefficients refer to catalogue P-CVSM.

Table 24

MAXIMUM SIZING COEFFICIENTS
FULL PORT
EQUAL PERCENTAGE CHARACTERISTIC
ANGLE BODY VALVE
FLOW DOWN

Valve Size Inches	Port Inches (mm)	Travel Inches (mm)	Coefficient	Percentage of Valve Travel
				100%
2	1-7/8 (47.6)	3/4 (19.1)	C _v	47.2
3	2-7/8 (73.0)	1-1/2 (38.1)	C _v	148
4	3-7/16 (87.3)	1-1/2 (38.1)	C _v	156
6	4-3/8 (111.1)	2 (50.8)	C _v	328

NOTE: For the complete list of sizing coefficients refer to catalogue P-CVSM.

Model 361 Control Valves

Technical Sales Bulletin



Our Commitment to Quality

Dyna-Flo is committed to continuous improvement. While all efforts have been made to ensure the accuracy of the content in this document, modifications or improvements to the information, specifications, and designs may occur at any time without notice. This document was published for informational purposes only, and does not express or imply suitability, a warranty, or guarantee regarding the products or services described herein or their use or applicability.

Neither Dyna-Flo Control Valve Services Ltd., nor any of their affiliated entities assumes responsibility for the selection, use and maintenance of any product. Responsibility for selection, use and maintenance of any product remains with the purchaser and end-user.



Model 361 Control Valves

MODEL NUMBERING SYSTEM

SAMPLE PART NUMBER: 361-3AFL-2FP2-GES2

BODY STYLE						-	
-	GLOBE	A	ANGLE	E	GLOBE PED 2014/68/EU	EA	ANGLE PED 2014/68/EU
VALVE SIZE						3	
1	1 INCH	5	1-1/2 INCH	2	2 INCH	3	3 INCH
4	4 INCH	6	6 INCH	8	8 INCH	E	10 X 8 INCH
ASME RATING						A	
A	150	B	300	C	600		
END CONNECTION						F	
F	RF	J	RTJ	N	NPT	T	BWE SCH 40
L	BWE SCH 80	S	SOCKET WELD				
BODY MATERIAL						L	
L	LCC	W	WCC	M	CF8M	9	WC9
BOLTING						-	
-	B7 / 2H (STANDARD)			A	B7M / 2HM		
B	B8M / 8M			K	B7 / 2H FLUOROKOTE #1		
L	B7M / 2HM FLUOROKOTE #1						
TRIM						2	
1	TRIM D1	2	TRIM D2	4	TRIM D4	6	TRIM D6
C	TRIM DC	E	TRIM DE	J	TRIM DJ	2H	TRIM D2H
4H	TRIM D4H	6H	TRIM D6H	7H	TRIM D7H	8H	TRIM D8H
PORT SIZE						F	
F	FULL PORT		R	REDUCED PORT			
PACKING STYLE						P	
P	SINGLE PTFE V-RING (PRESSURE)			J	DOUBLE PTFE V-RING (PRESSURE)		
G	SINGLE GRAPHITE (PRESSURE)			V	DOUBLE PTFE V-RING (VACUUM)		
R	DOUBLE PTFE V-RING (VACUUM / PRESSURE)			L	LIVE LOADED PTFE V-RING (PRESSURE)		
T	LIVE LOADED GRAPHITE (PRESSURE)			D	LIVE LOADED DUPLEX (PRESSURE)		
K	LIVE LOADED KALREZ®						
YOKE BOSS SIZE						2	
1	2-1/8" (3/8" STEM)		2	2-13/16" (1/2" STEM)		3	3-9/16" (3/4" STEM)
						5	5" (1" STEM)
PAINT						-	
-	DFPS-01 (STANDARD)			2	DFPS-02 (SEVERE SERVICE)		
3	DFPS-03 (HIGH TEMPERATURE)						
PISTON RING						G	
G	GRAPHITE PISTON RING			H	MULTIPLE GRAPHITE PISTON RINGS		
CHARACTERISTIC						E	
E	EQUAL PERCENT		L	LINEAR		Q	QUICK OPENING
Z	LOW-NOISE III A1 (LINEAR)			Y	LOW-NOISE III B3 (LINEAR)		
C	LOW-NOISE III C3 (LINEAR)			1	LOW-NOISE III D1 (LINEAR)		
D	LOW-NOISE III D3 (LINEAR)						
CHARACTERISTIC (EXTENDED TRAVEL)							
R	MODIFIED EQUAL PERCENT			S	MODIFIED LINEAR		
T	MODIFIED QUICK OPENING			W	MODIFIED LOW-NOISE III A1 (LINEAR)		
BONNET STYLE						S	
S	STANDARD		T	STANDARD TAPPED		E	EXTENSION STYLE 1
H	EXTENSION STYLE 2						
SHUT-OFF CLASS						2	
2	CLASS II		3	CLASS III		4	CLASS IV

361