



Figure 1 Model 320 AxFlo Trim Flow Path

The Dyna-Flo 320 Series AxFlo Anti-Cavitation Trim (Figure 1) is a heavy duty dirty service anti-cavitation trim option. Designed for entrained particulate and high pressure drop applications, this trim offers multi-stage protection against cavitation and erosion.

Principles of Operation

Dyna-Flo 320 AxFlo trim is a high resistance, multi-stage, axial flow path trim, which means process fluid will flow through AxFlo valves parallel to the axis of the plug and cage (refer to Figure 1). This design is well suited to reduce clogged flow passages in applications involving fluids with entrained particles.

You can expect enhanced trim life when using AxFlo trim because pressure gets distributed over the length of the valve plug across multiple Stages, this means each Stage is not exposed to the full pressure differential. On properly sized 320 valves, the amount of pressure drop per Stage is controlled to prevent cavitation problems and to minimize erosion issues.

Characteristic

AxFlo Trim has a Linear flow characteristic.

AxFlo trim is designed to have no significant flow for the first 15% of travel, this design feature is in place to maximize the life of the seat ring.

The multi-stage clearance flow design helps prevent high pressure drops in the seating area during throttling at low capacity. By preventing these high pressure drops we can significantly extend the shutoff capability while simultaneously enhancing the throttling control at low travels.

Specifications

Configurations

The Model 320 AxFlo control valve is a multi-stage anti-cavitation valve designed for dirty service. Refer to Table 1.

Metal Seat Available.

Consult your Dyna-Flo sales office for other available configurations.

Valve Sizes and Connection Styles (Refer to Table 1)

Model:	320
Size:	ASME Class 300 & 600: 2" (50 DN) to 8" (200 DN) ASME Class 900 & 1500: 2" (50 DN) to 6" (150 DN)
Body:	Globe (All Sizes)
Rating:	ASME Class 300 / 600 / 900 / 1500
Connection:	RF & RTJ: All Sizes NPT / BWE / SWE: Refer to Table 1

Maximum Inlet Pressures and Temperatures

Flanged valves consistent with ASME Class 300, 600, 900 & 1500 rating as per ASME B16.34, unless limited.

Shutoff Classification

Class V as per ANSI/FCI 70-2 and IEC 60534-4.

Maximum Pressure Drops

Refer to Table 2.

Maximum Seating Force

Class V seat load requirements.

Characteristic and Flow Direction

Linear - Flow Up.

Maximum Valve Sizing Coefficients

Refer to Tables 10 & 11.

Dimensions

Valve Outline Dimension Diagram: Refer to Figure 2.

Valve Assembly Dimensions: Refer to Tables 6 to 9.

Port Diameters and Maximum Valve Plug Travel

Refer to Tables 3 & 4.

Approximate Assembly Weights

Refer to Table 5.

Materials

Body material options include:

LCC (A350-LF2 optional* bonnet material)

WCC (A350-LF2 optional* bonnet material)

CF8M (A182-F316 optional* bonnet material)

***NOTE:** Dyna-Flo reserves the right to substitute a cast material with the forged bar equivalent in the event a casting is not available.

Refer to Tables 10 & 11 for valve parts construction materials.

Refer to Table 12 for trim selections.

Temperature Limitations

Refer to Tables 10, 11 & 13 for material temperature limitations.

Valve Assembly Cross-Section

Refer to Figures 3 & 4.

Packing Type

The Standard packing is PTFE V-ring. Live-loaded low emission, graphite, KALREZ[®] and other packing arrangements are available. Refer to Figure 5.

For more information and other options contact your Dyna-Flo sales office.

Table 1

Available Valve Configurations

ASME Class & Trim Type	Valve Size Inch (DN)	End Connection			
		RF ⁽¹⁾ and RTJ ⁽²⁾ (Flanged)	BWE ⁽³⁾	SWE ⁽⁴⁾	NPT ⁽⁵⁾
Class 300 & 600 AxFlo 3-Stage	2 (50)	✓	✓	✓	✓
	3 / 4 / 6 / 8 (80 / 100 / 150 / 200)	✓	✓	✓	✗
Class 900 & 1500 AxFlo 4-Stage	2 (50)	✓	✓	✓	✗
	3 / 4 / 6 (80 / 100 / 150)	✓	✓	✗	✗
Notes:	1 - RF = Raised Face.				
	2 - RTJ = Ring Type Joint.				
	3 - BWE = Butt Weld.				
	4 - SWE = Socket Weld.				
	5 - NPT = Screwed.				

Table 2

Application Guidelines

ASME Class	Trim Type	KC=1		KC=0.8	
		Psid	Bar	Psid	Bar
Class 300 & 600	AxFlo 3-Stage, Level C	<1,500	<103	-	-
Class 900 & 1500	AxFlo 4-Stage, Level A	<1,850	<128	1,850 - 2,325	128 - 160
	AxFlo 4-Stage, Level B	<1,890	<130	1,890 - 2,360	130 - 163
	AxFlo 4-Stage, Level C	<2,600	<179	2,600 - 3,250	179 - 224

Table 3

**ASME Class 300 & 600 Axflo 3-Stage
Valve Sizes, Port Diameters, Plug Travel, Stem/Yoke Boss Diameters, and Unbalanced Area**

Valve Size	Port Diameter		Max Valve Plug Travel		Yoke Boss Diameter (YBD)				Unbalanced Area ⁽²⁾	
					Stem Diameter		YBD			
Inch (DN)	Inch	mm	Inch	mm	Inch	mm	Inch	mm	Inch ²	cm ²
2 (50)	1-1/2	38.1	3/8	9.5	1/2 ⁽¹⁾	12.7 ⁽¹⁾	2-13/16 ⁽¹⁾	71 ⁽¹⁾	0.05	0.3
					3/4	19.1	3-9/16	90		
3 (80)	2-3/16	55.6	5/8	15.9	3/4	19.1	3-9/16	90	0.07	0.5
4 (100)	2-7/8	73.2	3/4	19.1	3/4 ⁽¹⁾	19.1 ⁽¹⁾	3-9/16 ⁽¹⁾	90 ⁽¹⁾	0.06	0.4
					1	25.4	5	127		
6 (150)	4-3/8	111.1	3/4	19.1	3/4 ⁽¹⁾	19.1 ⁽¹⁾	3-9/16 ⁽¹⁾	90 ⁽¹⁾	0.08	0.5
					1	25.4	5	127		
8 (200)	5-3/8	136.5	1	25.4	3/4 ⁽¹⁾	19.1 ⁽¹⁾	3-9/16 ⁽¹⁾	90 ⁽¹⁾	0.09	0.06
					1	25.4	5	127		
Notes:	1 - Standard Option.									
	2 - Balanced Trim. Pressure tends to close.									

Table 4

**ASME Class 900 and 1500 AxFlo 4-Stage
Valve Sizes, Port Diameters, Plug Travel, Stem/Yoke Boss Diameters, and Unbalanced Area**

Valve Size	Port Diameter		Max Valve Plug Travel		Yoke Boss Diameter (YBD)				Unbalanced Area ⁽²⁾	
					Stem Diameter		YBD			
Inch (DN)	Inch	mm	Inch	mm	Inch	mm	Inch	mm	Inch ²	cm ²
2 (50)	1-1/2	38.1	3/8	9.5	3/4	19.1	3-9/16	90	0.05 ⁽²⁾	0.3 ⁽²⁾
3 (80)	2-3/16	55.6	5/8	15.9	3/4	19.1	3-9/16	90	0.07 ⁽²⁾	0.5 ⁽²⁾
4 (100)	2-7/8	73.2	3/4	19.1	3/4 ⁽¹⁾	19.1 ⁽¹⁾	3-9/16 ⁽¹⁾	90 ⁽¹⁾	0.06 ⁽²⁾	0.4 ⁽²⁾
					1	25.4	5	127		
6 (150)	4-3/8	111.1	1	25.4	1	25.4	5	127	0.09 ⁽²⁾	0.6 ⁽²⁾
Notes:	1 - Standard Option.									
	2 - Balanced Trim. Pressure tends to close.									
	3 - Unbalanced Trim. Pressure tends to open.									

Table 5

Approximate Valve Weights

Trim Type	Valve Size	End Connection			
		RF ⁽¹⁾ & RTJ ⁽¹⁾ (Flanged)		NPT ⁽²⁾ / BWE ⁽³⁾ / SWE ⁽⁴⁾	
	Inch (DN)	lb	Kg	lb	Kg
3-Stage	2 (50)	90	40	70	30
	3 (80)	155	70	110	50
	4 (100)	265	120	175	80
	6 (150)	610	275	510	230
	8 (200)	1130	510	980	445
4-Stage	2 (50)	210	95	185	85
	3 (80)	405	185	310	140
	4 (100)	750	340	620	280
	6 (150)				
Notes:	1 RF = Raised Face. RTJ = Ring Type Joint.				
	2 NPT = Screwed. Screwed end connection only available for ASME Class 300 & 600 2 Inch Valves.				
	3 BWE = Butt Weld.				
	4 SWE = Socket Weld. Socket Weld end connection only available for 2 Inch Valves.				

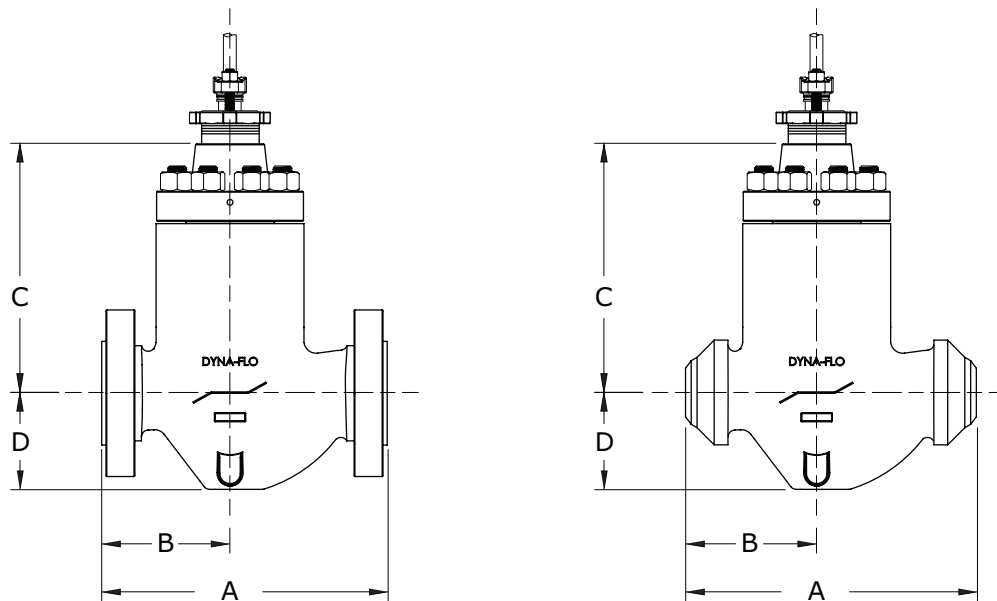


Figure 2 Typical Valve Assembly Dimensional Diagrams

Table 6

**ASME Class 300 AxFlo 3-Stage Valve Body Dimensions
(Refer to Figure 2 on Page 5)**

Valve Size	Yoke Boss Diameter		A ⁽¹⁾				C		D	
			RF ⁽²⁾		RTJ ⁽²⁾					
Inch (DN)	Inch	mm	Inch	mm	Inch	mm	Inch	mm	Inch	mm
2 (50)	2-13/16	71	10.50	267	-	-	10.25	260.4	3.06	77.7
	3-9/16	90					10.13	257.3	3.06	77.7
3 (80)	3-9/16	90	12.50	318	-	-	12.54	318.5	3.81	96.8
4 (100)	3-9/16	90	14.50	368	-	-	12.97	329.4	5.06	128.5
	5	127					14.78	375.4	5.06	128.5
6 (150)	3-9/16	90	18.62	473	19.25	489	20.30	515.6	5.44	138.1
	5	127					21.63	549.3	5.44	138.1
8 (200)	3-9/16	90	22.38	568	23.00	584	25.71	653.0	7.46	189.6
	5	127					27.46	697.6	7.46	189.6
Notes:	1 - Dimension B=A/2. 2 - RF = Raised Face RTJ = Ring Type Joint.									

Table 7

**ASME Class 600 AxFlo 3-Stage Valve Body Dimensions
(Refer to Figure 2 on Page 5)**

Valve Size	Yoke Boss Diameter		A ⁽¹⁾								C		D	
			NPT / SWE ⁽²⁾		BWE ⁽²⁾		RF ⁽²⁾		RTJ ⁽²⁾					
Inch (DN)	Inch	mm	Inch	Mm	Inch	Mm	Inch	Mm	Inch	mm	Inch	Mm	Inch	mm
2 (50)	2-13/16	71	11.25	285.8	11.25	285.8	11.2	285.8	11.38	289.1	10.25	260.4	3.06	77.7
	3-9/16	90									10.13	257.3	3.06	77.7
3 (80)	3-9/16	90	-	-	13.25	336.6	13.25	336.6	13.38	339.9	12.54	318.5	3.81	96.8
4 (100)	3-9/16	90	-	-	15.50	393.7	15.50	393.7	15.62	396.7	12.97	329.4	5.06	128.5
	5	127									14.78	375.4	5.06	128.5
6 (150)	3-9/16	90	-	-	20.0	508.0	20.0	508.0	20.12	511.0	20.30	515.6	5.44	138.1
	5	127									21.63	549.3	5.44	138.1
8 (200)	3-9/16	90	-	-	24.0	609.6	24.0	609.6	24.12	612.6	25.71	653.0	7.46	189.6
	5	127									27.46	697.6	7.46	189.6
Notes:	1 - Dimension B=A/2. 2 - NPT = Screwed SWE = Socket Weld BWE = Butt Weld RF = Raised Face RTJ = Ring Type Joint.													

Table 8

ASME Class 900 AxFlo 4-Stage Valve Body Dimensions
 (Refer to Figure 2 on Page 5)

Valve Size	Yoke Boss Diameter		A				B				C		D	
			RF ⁽¹⁾		RTJ ⁽¹⁾		RF ⁽¹⁾		RTJ ⁽¹⁾					
Inch (DN)	Inch	mm	Inch	mm	Inch	mm	Inch	mm	Inch	mm	Inch	mm	Inch	mm
2 (50)	3-9/16	90	14.75	375	14.88	378	7.38	187	5.93	189	13.12	333	3.06	77
3 (80)	3-9/16	90	17.38	442	17.50	445	8.69	221	7.44	222	16.24	412	4.75	121
4 (100)	3-9/16	90	20.12	511	20.25	514	9.00	229	8.75	230	16.79	427	6.88	175
	5	127									19.48	495	6.88	175
6 (150)	5	127	30.25	768	30.50	775	13.25	337	13.38	340	23.23	590	10.35	263

Notes: 1 - RF = Raised Face | RTJ = Ring Type Joint.

Table 9

ASME Class 1500 AxFlo 4-Stage Valve Body Dimensions
 (Refer to Figure 2 on Page 5)

Valve Size	A								B							
	NPT / SWE ⁽¹⁾		BWE ⁽¹⁾		RF ⁽¹⁾		RTJ ⁽¹⁾		NPT / SWE ⁽¹⁾		BWE ⁽¹⁾		RF ⁽¹⁾		RTJ ⁽¹⁾	
Inch (DN)	Inch	mm	Inch	mm	Inch	mm	Inch	mm	Inch	mm	Inch	mm	Inch	mm	Inch	mm
2 (50)	14.75	375	14.75	375	14.75	375	14.88	378	7.38	187	7.38	187	7.38	187	7.44	189
3 (80)	-	-	18.12	460	18.12	460	18.25	464	-	-	9.06	230	9.06	230	9.12	232
4 (100)	-	-	20.88	530	20.88	530	21.00	533	-	-	9.38	238	9.38	238	9.44	240
6 (150)	-	-	30.25	768	30.25	768	30.50	775	-	-	13.25	337	13.25	337	13.38	340

Valve Size	Yoke Boss Diameter		C		D	
Inch (DN)	Inch	mm	Inch	mm	Inch	mm
2 (50)	3-9/16	90	13.12	333	3.06	77
3 (80)	3-9/16	90	16.24	412	4.75	121
4 (100)	3-9/16	90	16.79	427	6.88	175
	5	127	19.48	495	6.88	175
6 (150)	5	127	23.23	590	10.35	263

Notes: 1 - NPT = Screwed | SWE = Socket Weld | BWE = Butt Weld | RF = Raised Face | RTJ = Ring Type Joint.

***NOTE:** BONNET ROTATED 90°
FOR CLARITY.

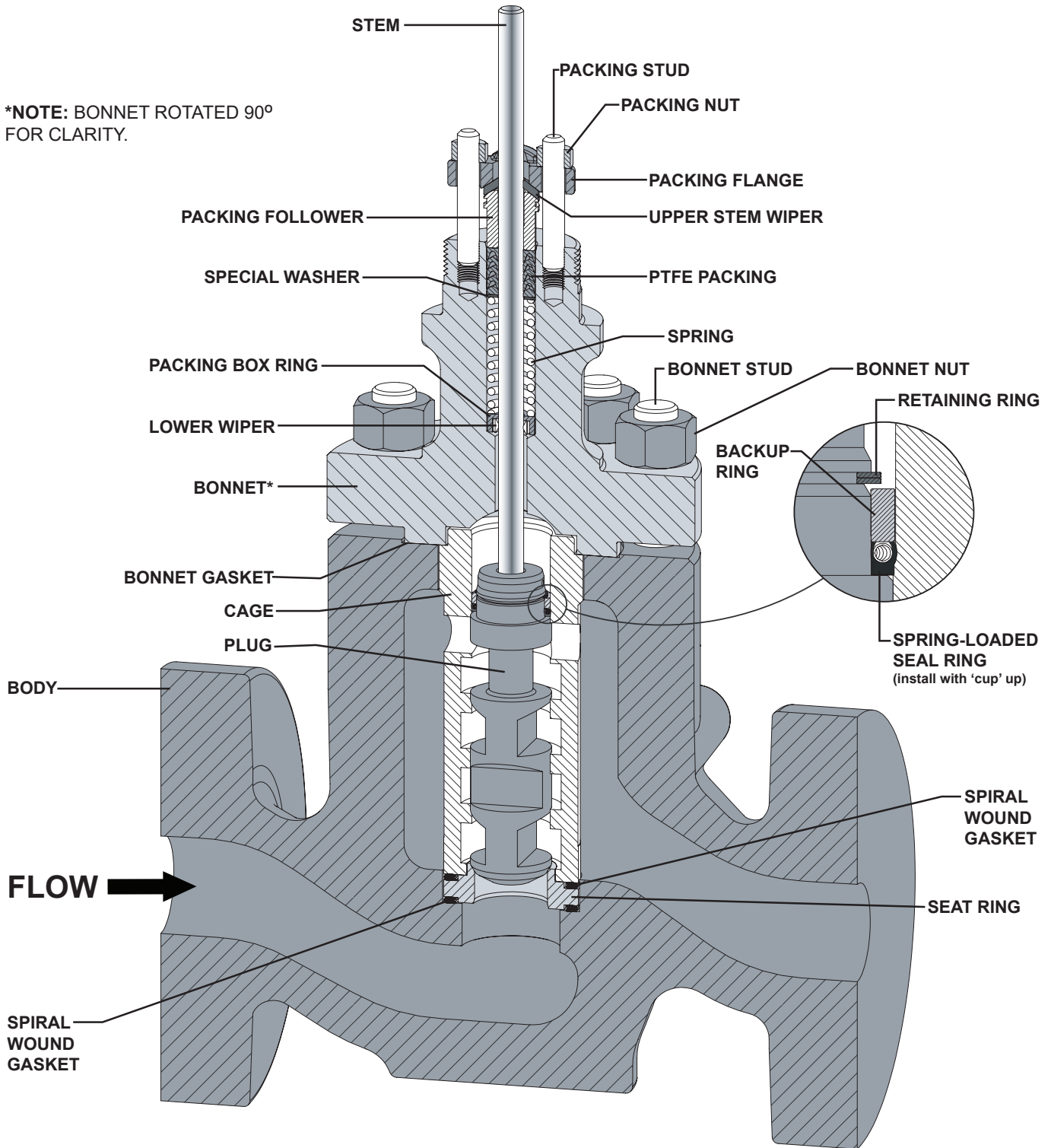


Figure 3 ASME Class 300 & 600 320 AxFlo Trim Valve Cross-section

*NOTE: BONNET ROTATED 90° FOR CLARITY.

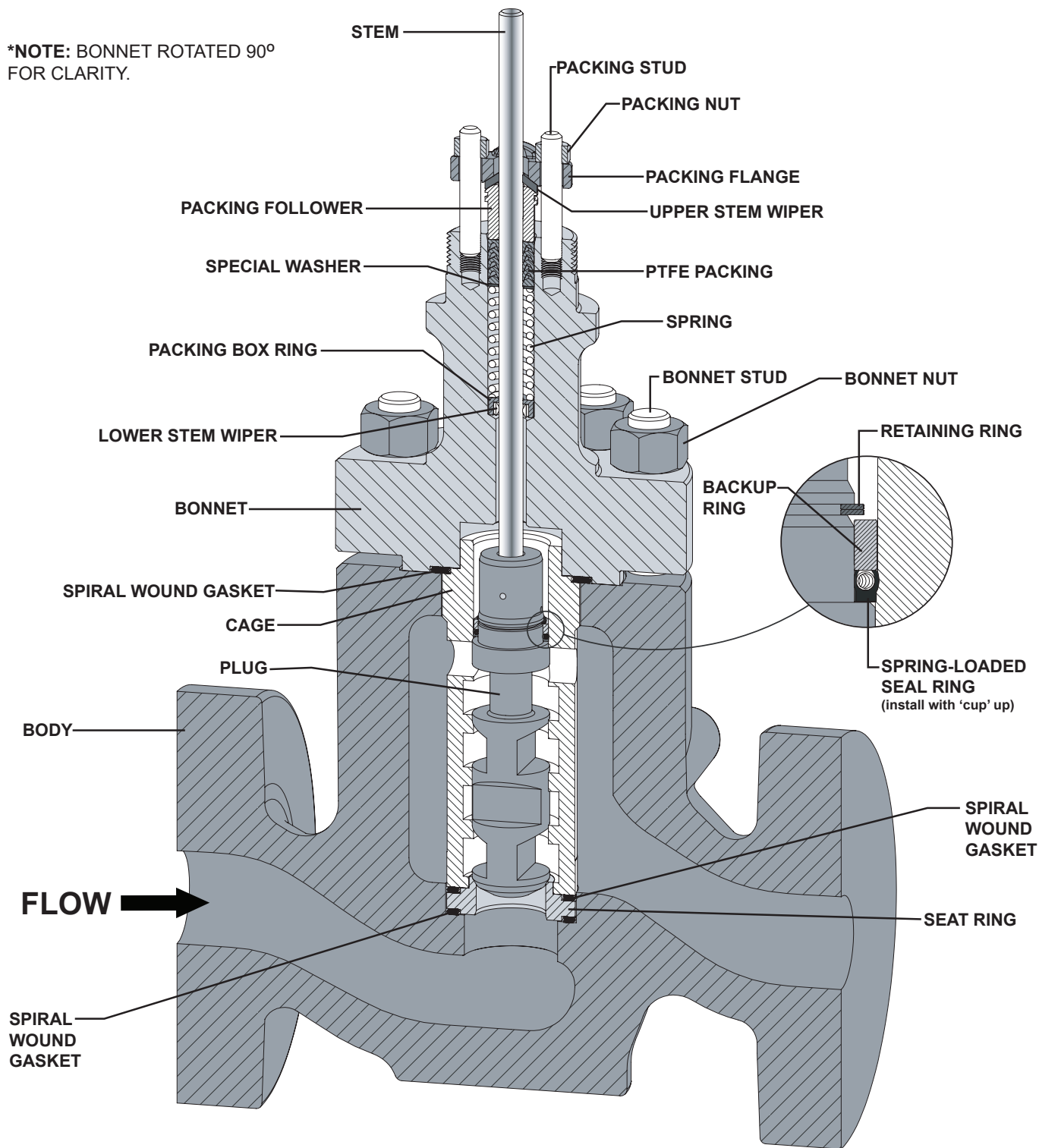


Figure 4 ASME Class 900 & 1500 320 AxFlo Trim Valve Cross-section

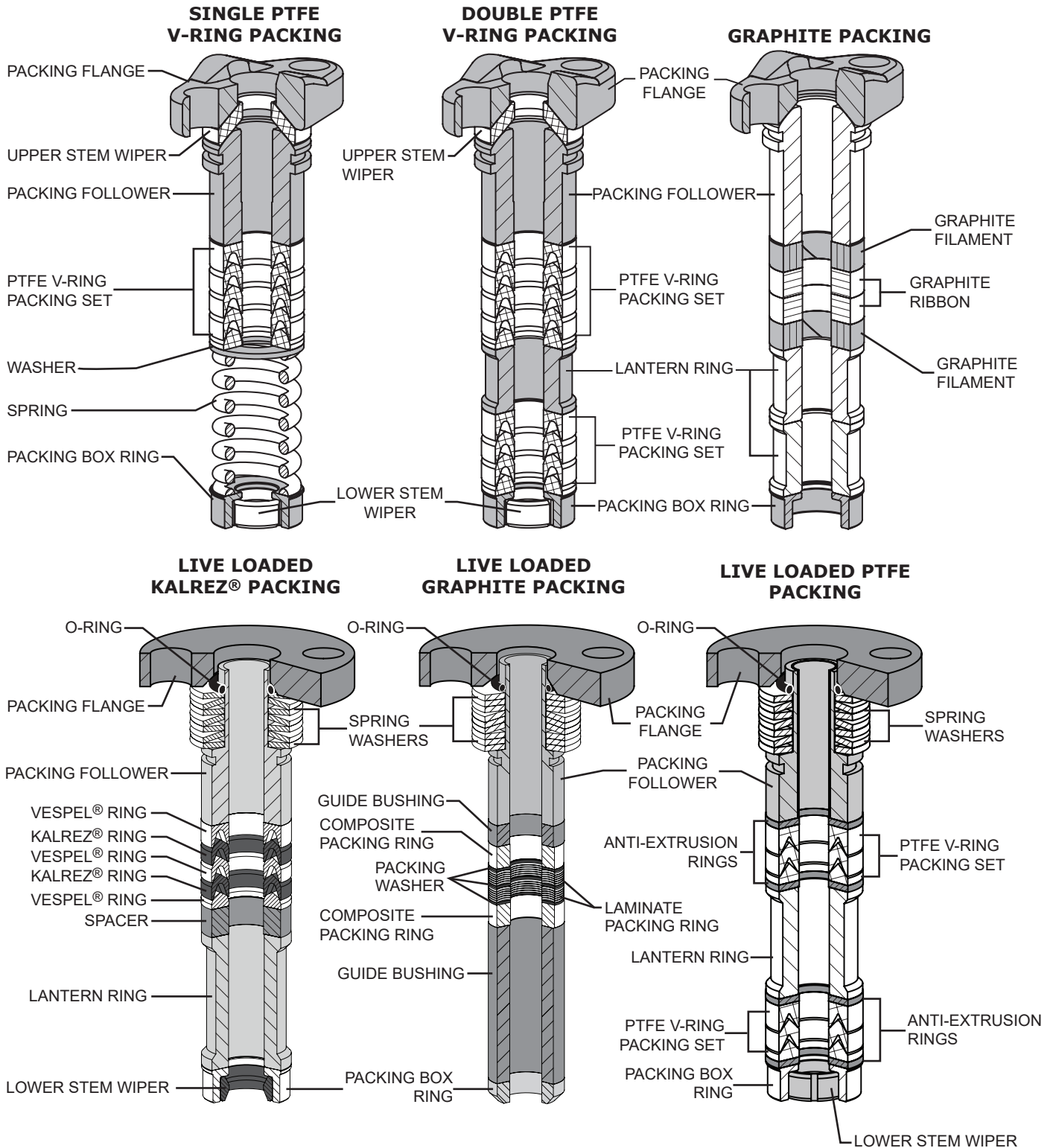


Figure 5 Typical Packing Arrangement Examples

Table 10

Common Valve Parts Typical Construction Materials and Temperature Limitations

Part	Material	Temperature Limitations				
		Min. °F	Max. °F	Min. °C	Max. °C	
Valve Stem	S20910	NLF ⁽²⁾	NLF ⁽²⁾	NLF ⁽²⁾	NLF ⁽²⁾	
Bonnet Gasket (ASME Class 300-600)	S31600 / Graphite	NLF ⁽²⁾	NLF ⁽²⁾	NLF ⁽²⁾	NLF ⁽²⁾	
Spring-Loaded (Three-Piece) Valve Plug Seal	Anti-Extrusion Ring ⁽¹⁾	PolyEtherEtherKetone (PEEK)	NLF ⁽²⁾	NLF ⁽²⁾	NLF ⁽²⁾	NLF ⁽²⁾
	Backup Ring ⁽¹⁾	S31600/S31603 Dual Grade	-325	NLF ⁽²⁾	-198	NLF ⁽²⁾
	Seal Ring	Carbon-filled PTFE / Elgiloy	-100	600	-73	319
	Retaining Ring ⁽¹⁾	S31600	NLF ⁽²⁾	NLF ⁽²⁾	NLF ⁽²⁾	NLF ⁽²⁾
Spiral Wound Gaskets	N06600 / Graphite	NLF ⁽²⁾	NLF ⁽²⁾	NLF ⁽²⁾	NLF ⁽²⁾	
Packing	PTFE V-Ring	-50	450	-46	232	
	Graphite (Ribbon/Filament)	-325	1000 ⁽³⁾	-198	537 ⁽³⁾	
Packing Flange / Studs / Nuts	S31600/S31603 Dual Grade	-325	NLF ⁽²⁾	-198	NLF ⁽²⁾	
Other Metal Packing Parts	S31600/S31603 Dual Grade	-325	NLF ⁽²⁾	-198	NLF ⁽²⁾	

Notes:

- 1 - Anti-extrusion rings will allow for a maximum temperature limitation of 600°F (316°C).
- 2 - NLF - This Material is Not A Limiting Factor. For the temperature limitation refer to the valve body material temperature limit.
- 3 - Oxidizing service limited to 700°F (371°C).

Table 11

Body to Bonnet Bolting Temperature Limitations

Body Material	ASME Class	Bolt/Nut Material	Temperature Limitations			
			Min. °F	Max. °F	Min. °C	Max. °C
LCC	All	B7 / 2H ⁽¹⁾⁽²⁾	-50	650	-46	343
		B7 Fluorokote #1 / 2H Fluorokote #1	-50	500	-46	260
WCC ⁽⁴⁾	All	B7 / 2H ⁽¹⁾⁽²⁾	-20	800	-29	427
		B7 Fluorokote #1 / 2H Fluorokote #1	-20	500	-29	260
CF8M ⁽⁴⁾	All	B7 Fluorokote #1 / 2H Fluorokote #1 (Standard) ⁽²⁾	-50	500	-46	260
		B8M/8M ⁽²⁾	-325	800	-198	427

Notes:

- 1 - Standard non-NACE option.
- 2 - NACE MR0175/ISO15156 Non-Exposed Bolting option (Bolting that is not directly exposed to sour environments and is not to be buried, insulated, equipped with flange protectors, or otherwise denied direct atmospheric exposure).
- 3 - NACE MR0175/ISO15156 Exposed Bolting option (Bolting that will be exposed directly to the sour environment or that will be buried, insulated, equipped with flange protectors, or otherwise denied direct atmospheric exposure).
- 4 - Requires the derating of the valve when WCC & CF8M are used with B7M studs and 2HM nuts. Derating is not required for ASME Class 300 valves but may be required for ASME Class 600 valves.

Table 12

Trim Options (Refer to Table 13 for Temperature Limits)

Trim Spec	Valve Plug	Stem	Cage	Seat Ring	Service
A1	S44004	S20910	S17400 H900	S44004	Standard / Non-corrosive / High Temp
A2 ⁽²⁾	S31600 ⁽¹⁾ / ALLOY 6 Seat and Guide	S20910	S17400 DH1150	S31600 ⁽¹⁾ / ALLOY 6 Seat & Bore	Corrosive / NACE ⁽²⁾ High Temperature

Notes:

- 1 - All S31600 barstock is dual grade S31600/S31603 (316/316L).
- 2 - Metal trim parts compatible with NACE MR0103 and MR0175-2002. Environmental restrictions may apply. Contact Dyna-Flo for NACE MR0175/ISO 15156 requirements.

Table 13

Valve Body/Trim Option Temperature Limitations⁽¹⁾

Refer to Tables 11 & 12 of other limiting factors.

Body Material	AxFlo Stage	Trim Designation	Valve Size inch (DN)	Temperature Limitations			
				Min. °F	Max. °F	Min. °C	Max. °C
WCC & LCC	3-Stage	A1	All Sizes	-20	600	-29	316
		A2	All Sizes	-20	600	-29	316
	4-Stage	A1	2 / 3 / 6 / 8 (50 / 80 / 150 / 200)	-20	600	-29	316
			4 (100)	-20	550	-29	288
		A2	All Sizes	-20	600	-29	316
	CF8M	3-Stage	A2	2 to 6 (50 to 150)	-20	600	-29
8 (200)				-20	450	-29	232
4-Stage		A2	2 & 3 (50 & 80)	-20	600	-29	316
			4 (150)	-20	200	-29	93
			6 & 8 (150 & 200)	-50	600	-46	316

Notes:

- 1 - Refer to Table 12 for Trim Materials.

Table 14

Flow Coefficients

ASME Class 300 & 600 AxFlo 3-Stage, Level C, Linear Characteristic

Valve Size Inch (DN)	Port Diameter		Max Valve Plug Travel		Level	Flow Co-efficient	Valve Opening - Percentage of Total Valve Travel											F _L ⁽¹⁾
	Inch	mm	Inch	mm			Min.	10	20	30	40	50	60	70	80	90	100	
2 (50) Balanced	1-1/2	38.1	3/8	9.5	C	C _v	0.150	⁽²⁾	0.545	1.45	2.64	3.85	5.17	6.50	7.75	8.75	9.30	0.99
3 (80) Balanced	2-3/16	55.6	5/8	15.9	C	C _v	0.250	⁽²⁾	1.17	3.12	5.68	8.28	11.1	14.0	16.7	18.8	20.0	0.99
4 (100) Balanced	2-7/8	73.2	3/4	19.1	C	C _v	0.430	⁽²⁾	2.00	5.30	9.65	14.1	18.9	23.8	28.3	32.0	34.0	0.99
6 (150) Balanced	4-3/8	111.1	3/4	19.1	C	C _v	0.600	⁽²⁾	1.17	5.51	12.6	21.6	31.4	40.9	49.1	55.4	59.5	0.99
8 (200) Balanced	5-3/8	136.5	1	25.4	C	C _v	0.800	⁽²⁾	2.07	10.5	23.4	38.5	56.6	75.3	92.6	109	122	0.99
Notes:	1 - At 100% Travel.																	
	2 - Clearance flow only.																	

Table 15

Flow Coefficients

ASME Class 900 & 1500, AxFlo 4-Stage, Level A, B, & C, Linear Characteristic

Valve Size Inch (DN)	Port Diameter		Max Valve Plug Travel		Level	Flow Co-efficient	Valve Opening - Percentage of Total Valve Travel											F _L ⁽¹⁾
	Inch	mm	Inch	mm			Min.	10	20	30	40	50	60	70	80	90	100	
2 (50) Balanced	1-1/2	38.1	3/8	9.5	A	C _v	0.120	⁽²⁾	0.400	0.960	1.54	2.20	2.86	3.42	3.92	4.32	4.55	0.99
					B		0.120	⁽²⁾	0.460	1.10	1.85	2.63	3.39	4.26	5.19	5.99	6.63	
					C		0.120	⁽²⁾	0.570	1.53	2.62	3.85	5.00	6.16	7.29	8.19	8.85	
3 (80) Balanced	2-3/16	55.6	5/8	15.9	A	C _v	0.200	⁽²⁾	0.580	1.84	3.20	4.57	6.23	7.35	8.25	8.82	8.90	0.99
					B		0.200	⁽²⁾	0.620	2.00	3.78	5.45	7.30	9.32	11.5	13.4	14.6	
					C		0.200	⁽²⁾	0.416	2.19	4.41	6.90	9.80	12.4	14.7	16.4	16.8	
4 (100) Balanced	2-7/8	73.2	3/4	19.1	A	C _v	0.350	⁽²⁾	0.462	2.31	4.16	6.01	8.01	9.86	11.7	13.6	15.4	0.99
					B		0.350	⁽²⁾	0.723	3.62	6.51	9.40	12.5	15.4	18.3	21.2	24.1	
					C		0.350	⁽²⁾	0.879	4.40	7.91	11.4	15.2	18.8	22.3	25.8	29.3	
6 (150) Balanced	4-3/8	111	1	25.4	C	C _v	0.500	0.250	1.90	7.80	16.0	25.0	34.0	42.0	50.0	56.0	61.0	0.99
Notes:	1 - At 100% Travel.																	
	2 - Clearance flow only.																	

This page left intentionally blank.

This page left intentionally blank.

MODEL NUMBERING SYSTEM

SAMPLE PART NUMBER: 320-2BFL-1P3-CCS5

BODY STYLE						-
-	GLOBE	E	GLOBE PED 2014/68/EU			
VALVE SIZE						2
2	2 INCH	3	3 INCH	4	4 INCH	6
8	8 INCH					
ASME RATING						B
B	300	C	600	D	900	E
END CONNECTION						F
F	RF	J	RTJ	L	BWE SCH 80	U
P	BWE SCH 160	S	SOCKET WELD	N	NPT	
BODY MATERIAL						L
L	LCC	W	WCC	M	CF8M	
BOLTING						-
-	B7 / 2H	K	B7 / 2H FLUOROKOTE #1			B
TRIM						1
1	A1	2	A2			
PACKING STYLE						P
P	SINGLE PTFE V-RING (PRESSURE)			J	DOUBLE PTFE V-RING (PRESSURE)	
G	SINGLE GRAPHITE (PRESSURE)			V	DOUBLE PTFE V-RING (VACUUM)	
R	DOUBLE PTFE V-RING (VACUUM / PRESSURE)			L	LIVE LOADED PTFE V-RING (PRESSURE)	
T	LIVE LOADED GRAPHITE (PRESSURE)			D	LIVE LOADED DUPLEX (PRESSURE)	
K	LIVE LOADED KALREZ® (PRESSURE)			F	LIVE LOADED KALREZ® FIRE SAFE (PRESSURE)	
YOKE BOSS SIZE						3
2	2-13/16" (1/2" STEM)	3	3-9/16" (3/4" STEM)	5	5" (1" STEM)	
PAINT						-
-	DFPS-01 (STANDARD)			2	DFPS-02 (SEVERE SERVICE)	
3	DFPS-03 (HIGH TEMPERATURE)					
BACKUP RING / SEAL RING						C
C	S31600 / CARBON-FILLED PTFE - ELGILOY					
R	S31600 / CARBON-FILLED PTFE - ELGILOY W/ PEEK AE RINGS					
CHARACTERISTIC						C
A	ANTI-CAVITATION LVL-A LINEAR			B	ANTI-CAVITATION LVL-B LINEAR	
C	ANTI-CAVITATION LVL-C LINEAR					
BONNET STYLE						S
S	STANDARD					
SHUT-OFF CLASS						4
5	CLASS V					

Dyna-Flo Control Valve Services Ltd., a Business Unit of Curtiss-Wright Flow Control Corporation

Headquarters: 1911 66 Avenue, Edmonton, AB, T6P 1M5 Canada • Telephone: 1-866-396-2356 • Fax: 780-469-4035

www.dynaflo.com

Offices Worldwide: For a listing of our global sales network, visit our website at www.dynaflo.com/distributors

While this information is presented in good faith and believed to be accurate, Dyna-Flo Control Valve Services Ltd., division of Curtiss-Wright Flow Control Corporation, does not guarantee satisfactory results from reliance on such information. Nothing contained herein is to be construed as a warranty or guarantee, expressed or implied, regarding the performance, merchantability, fitness or any other matter with respect to the products, nor as a recommendation to use any product or process in conflict with any patent. Dyna-Flo Control Valve Services Ltd., division of Curtiss-Wright Flow Control Corporation, reserves the right, without notice, to alter or improve the designs or specifications of the products described herein.

